



R1431



Material
Neoprene (black). Fibreglass reinforced.

Technical Notes

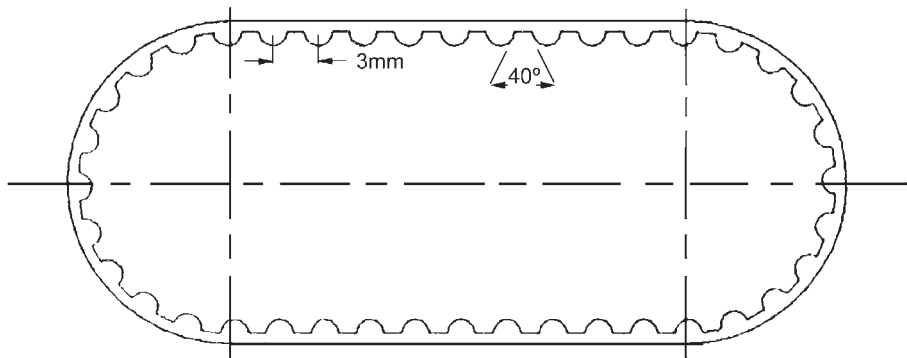
High Ratios.
Allows use of small diameter pulleys.
High speeds.
High power transmission.
Long life.
Wear resistant nylon facing.
Low profile.
Quiet operation.
Max speed up to 20,000 rpm.
Max operating tension 60N.
Minimum pulley diameter 9,5 (10 grooves).
Temperature range +85°C to -18°C.

Important Notes

Operates with TP3 (R1440-R1470) pulleys.

Timing Belts - 3,0mm circular pitch (HTD)

6mm wide



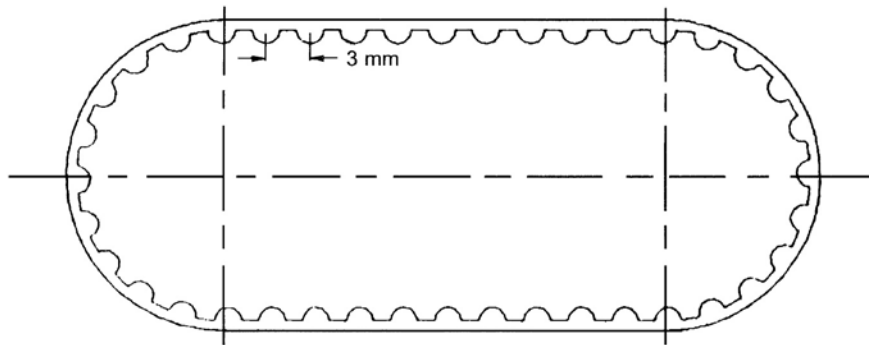
BELTS & PULLEYS

Order No.	No. of Grooves	Length (Ref)
TB3EF6M-48	48	144
TB3EF6M-49	49	147
TB3EF6M-50	50	150
TB3EF6M-53	53	159
TB3EF6M-59	59	177
TB3EF6M-67	67	201
TB3EF6M-70	70	210
TB3EF6M-71	71	213
TB3EF6M-75	75	225
TB3EF6M-84	84	252
TB3EF6M-85	85	255
TB3EF6M-88	88	264
TB3EF6M-89	89	267
TB3EF6M-92	92	276
TB3EF6M-95	95	285
TB3EF6M-96	96	288
TB3EF6M-99	99	297
TB3EF6M-100	100	300
TB3EF6M-104	104	312
TB3EF6M-106	106	318
TB3EF6M-111	111	333
TB3EF6M-113	113	339
TB3EF6M-119	119	357
TB3EF6M-121	121	363
TB3EF6M-128	128	384
TB3EF6M-130	130	390
TB3EF6M-140	140	420
TB3EF6M-149	149	447
TB3EF6M-153	153	459
TB3EF6M-158	158	474
TB3EF6M-162	162	486
TB3EF6M-163	163	489
TB3EF6M-171	171	513
TB3EF6M-179	179	537
TB3EF6M-188	188	564
TB3EF6M-211	211	633
TB3EF6M-237	237	711
TB3EF6M-294	294	882
TB3EF6M-315	315	945
TB3EF6M-369	369	1107
TB3EF6M-375	375	1125
TB3EF6M-415	415	1245
TB3EF6M-421	421	1263
TB3EF6M-500	500	1500



Timing Belts - 3,0mm circular pitch (HTD)

9mm wide



R1432



Material
Neoprene (black). Fibreglass reinforced.

Technical Notes

High Ratios.
Allows use of small diameter pulleys.
High speeds.
High power transmission.
Long life.
Wear resistant nylon facing.
Low profile.
Quiet operation
Max speed up to 20,000 rpm.
Max operating tension 90N.
Minimum pulley diameter 9.5 (10 grooves).
Temperature range +85°C to -18°C.

Important Notes

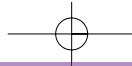
Operates with TP3 (R1440-R1470) pulleys.

Order No.	No. of Grooves	Length (Ref)
TB3EF9M-48	48	144
TB3EF9M-49	49	147
TB3EF9M-50	50	150
TB3EF9M-53	53	159
TB3EF9M-59	59	177
TB3EF9M-67	67	201
TB3EF9M-70	70	210
TB3EF9M-71	71	213
TB3EF9M-75	75	225
TB3EF9M-84	84	252
TB3EF9M-85	85	255
TB3EF9M-88	88	264
TB3EF9M-89	89	267
TB3EF9M-92	92	276
TB3EF9M-95	95	285
TB3EF9M-96	96	288
TB3EF9M-99	99	297
TB3EF9M-100	100	300
TB3EF9M-104	104	312
TB3EF9M-106	106	318
TB3EF9M-111	111	333
TB3EF9M-113	113	339
TB3EF9M-119	119	357
TB3EF9M-121	121	363
TB3EF9M-128	128	384
TB3EF9M-130	130	390
TB3EF9M-140	140	420
TB3EF9M-149	149	447
TB3EF9M-153	153	459
TB3EF9M-158	158	474
TB3EF9M-162	162	486
TB3EF9M-163	163	489
TB3EF9M-171	171	513
TB3EF9M-179	179	537
TB3EF9M-188	188	564
TB3EF9M-211	211	633
TB3EF9M-237	237	711
TB3EF9M-294	294	882
TB3EF9M-315	315	945
TB3EF9M-369	369	1107
TB3EF9M-375	375	1125
TB3EF9M-415	415	1245
TB3EF9M-421	421	1263
TB3EF9M-500	500	1500

BELTS & PULLEYS

linear and rotary motion components

Automation



Timing Belts - HTD and MXL



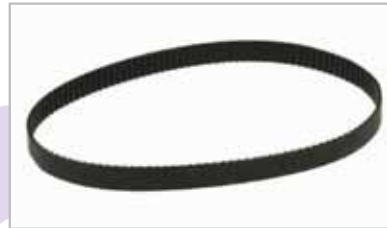
R1430 -
MXL belts
2mm pitch
3mm wide.



R1430 -
Pulleys for MXL
belts.



R1431 -
HTD belts
3mm pitch
6mm wide.



R1432 -
HTD belts
3mm pitch
9mm wide.



R1440 -
Single flange
pulleys for
HTD belts
3mm pitch.



R1445 -
Double flange
pulleys for
HTD belts
3mm pitch.



R1475 -
HTD belts
5mm pitch
6mm and 9mm
wide.



R1480 -
Single flange
pulleys for
HTD belts
5mm pitch.



R1485 -
Double flange
pulleys for
HTD belts
5mm pitch.

