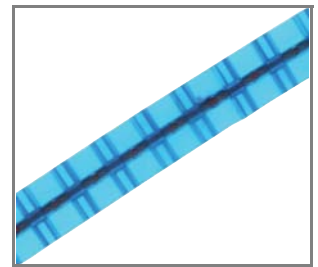
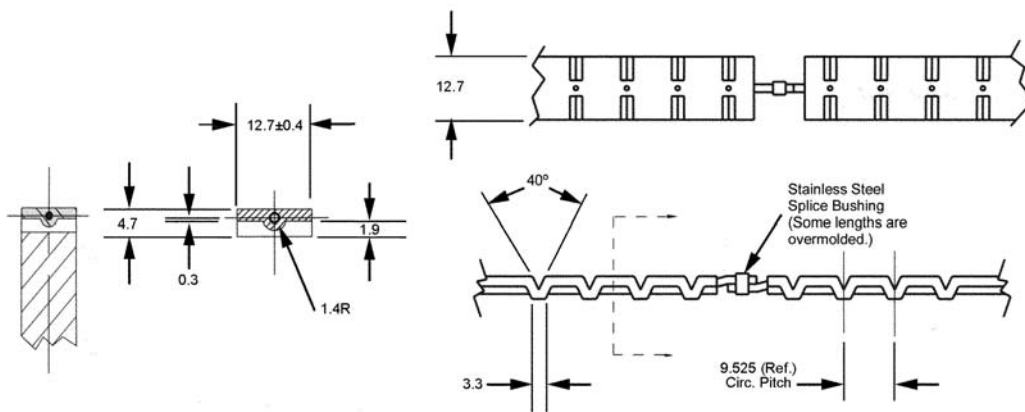


Timing Belts 9,525mm circular pitch

12,7mm wide



R1410



Material

Polyurethane (blue) 90A durometer, Ø1,2mm stainless steel cable.

Fibre cable core (aramid) also available (particularly suitable for reverse bend applications).

Technical Notes

- No flanges required.
- Infinite lengths.
- Silent drive.
- No-walk feature.
- No lubrication.
- Weight: 38 grams/metre.
- Compact design
- Positive drive.
- Light weight.
- Extra strong.
- Ultimate tensile strength 556N.
- Temperature range +82°C to -26°C.
- Recommended operating load 53N.
- Recommended max operating speed 1,91m/s.

* Splices are factory overmoulded.

Tips

Field splice kit available (37TB-7).

Important Notes

Operates with R1410 belts.

Order No.	No. of Pitches	Length (Ref)
R1410.020	20	190,5
R1410.022	22	209,5
R1410.024	24	228,6
R1410.026	26	247,6
R1410.028	28	266,7
R1410.030	30	285,7
R1410.033	33	314,3
R1410.036	36	342,9
R1410.040	40	381,0
R1410.045	45	428,6
R1410.050	50	476,2
R1410.056	56	533,4
R1410.060	60	571,5
R1410.064	64	609,6
R1410.068	68	647,7
R1410.072	72	685,8
R1410.080	80	765,0
R1410.086	86	819,1
R1410.092	92	876,3
R1410.098	98	933,4
R1410.100	100	952,5
R1410.104	104	990,6
R1410.108	108	1028,7
R1410.112	112	1066,8
R1410.116	116	1104,9
R1410.120	120	1143,0
R1410.124	124	1181,1
R1410.128	128	1219,2
R1410.132	132	1257,3
R1410.136	136	1295,4
R1410.140	140	1333,5
R1410.144	144	1371,6
R1410.148	148	1409,7
R1410.152	152	1447,8
R1410.156	156	1485,9
R1410.160	160	1524,0
R1410.176	176	1676,4
R1410.1.5M	-	1,5 metres not spliced
R1410.3.0M	-	3,0 metres not spliced
R1410.7.5M	-	7,5 metres not spliced
R1410.15M	-	15,0 metres not spliced
R1410.30M	-	30,0 metres not spliced





Timing Pulleys - aluminium

9,525mm nominal circular pitch

R1410



Material

Aluminium DIN 3,1355 anodized.

Technical Notes

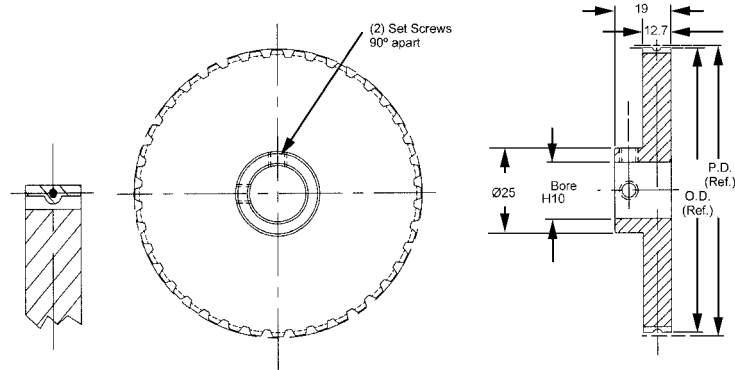
¹ Pulleys Ø35,0mm PD and smaller for idler use only.

Other no's of teeth available on request.

For larger sizes, please see following pages.

Important Notes

Operates with R1405 belts.

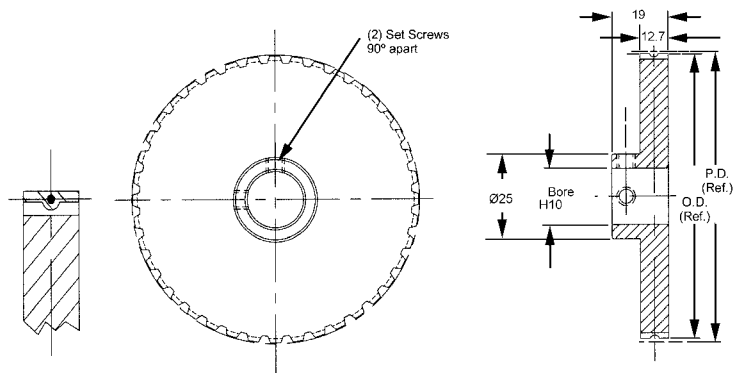


Order No.	Bore	Pitch Diameter	No. of teeth	Outside Diameter
R1410.010-08	Ø8	30,32 ¹	10	29,57
R1410.011-08	Ø8	33,35 ¹	11	32,59
R1410.012-08	Ø8	36,38	12	35,64
R1410.013-08	Ø8	39,42	13	38,66
R1410.014-08	Ø8	42,45	14	41,71
R1410.015-08	Ø8	45,48	15	44,73
R1410.016-08	Ø8	48,51	16	47,75
R1410.017-08	Ø8	51,54	17	50,80
R1410.018-08	Ø8	54,57	18	53,82
R1410.019-08	Ø8	57,61	19	56,87
R1410.020-08	Ø8	60,64	20	59,89
R1410.021-08	Ø8	63,67	21	62,92
R1410.022-08	Ø8	66,70	22	65,96
R1410.024-08	Ø8	72,77	24	72,01
R1410.026-08	Ø8	78,83	26	78,08
R1410.028-08	Ø8	84,89	28	84,15
R1410.030-08	Ø8	90,96	30	90,22
R1410.032-08	Ø8	97,02	32	96,27
R1410.036-08	Ø8	109,15	36	108,41
R1410.010-10	Ø10	30,32 ¹	10	29,57
R1410.011-10	Ø10	33,35 ¹	11	32,59
R1410.012-10	Ø10	36,38	12	35,64
R1410.013-10	Ø10	39,42	13	38,66
R1410.014-10	Ø10	42,45	14	41,71
R1410.015-10	Ø10	45,48	15	44,73
R1410.016-10	Ø10	48,51	16	47,75
R1410.017-10	Ø10	51,54	17	50,80
R1410.018-10	Ø10	54,57	18	53,82



Timing Pulleys - aluminium

9,525mm nominal circular pitch



R1410



Material

Aluminium DIN 3,1355 anodized.

Technical Notes

¹ Pulleys Ø35,0mm PD and smaller for idler use only.

Other no.'s of teeth available on request.

For smaller sizes, please see previous pages.

Important Notes

Operates with R1405 belts.



Order No.	Bore	Pitch Diameter	No. of teeth	Outside Diameter
R1410.019-10	Ø10	57,61	19	56,87
R1410.020-10	Ø10	60,64	20	59,89
R1410.021-10	Ø10	63,67	21	62,92
R1410.022-10	Ø10	66,70	22	65,96
R1410.024-10	Ø10	72,77	24	72,01
R1410.026-10	Ø10	78,83	26	78,08
R1410.028-10	Ø10	84,89	28	84,15
R1410.030-10	Ø10	90,96	30	90,22
R1410.032-10	Ø10	97,02	32	96,27
R1410.036-10	Ø10	109,15	36	108,41
R1410.010-12	Ø12	30,32 ¹	10	29,57
R1410.011-12	Ø12	33,35 ¹	11	32,59
R1410.012-12	Ø12	36,38	12	35,64
R1410.013-12	Ø12	39,42	13	38,66
R1410.014-12	Ø12	42,45	14	41,71
R1410.015-12	Ø12	45,48	15	44,73
R1410.016-12	Ø12	48,51	16	47,75
R1410.017-12	Ø12	51,54	17	50,80
R1410.018-12	Ø12	54,57	18	53,82
R1410.019-12	Ø12	57,61	19	56,87
R1410.020-12	Ø12	60,64	20	59,89
R1410.021-12	Ø12	63,67	21	62,92
R1410.022-12	Ø12	66,70	22	65,96
R1410.024-12	Ø12	72,77	24	72,01
R1410.026-12	Ø12	78,83	26	78,08
R1410.028-12	Ø12	84,89	28	84,15
R1410.030-12	Ø12	90,96	30	90,22
R1410.032-12	Ø12	97,02	32	96,27
R1410.036-12	Ø12	109,15	36	108,41

linear and rotary motion components

Automation