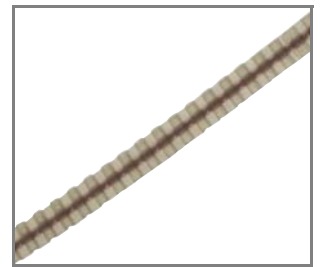
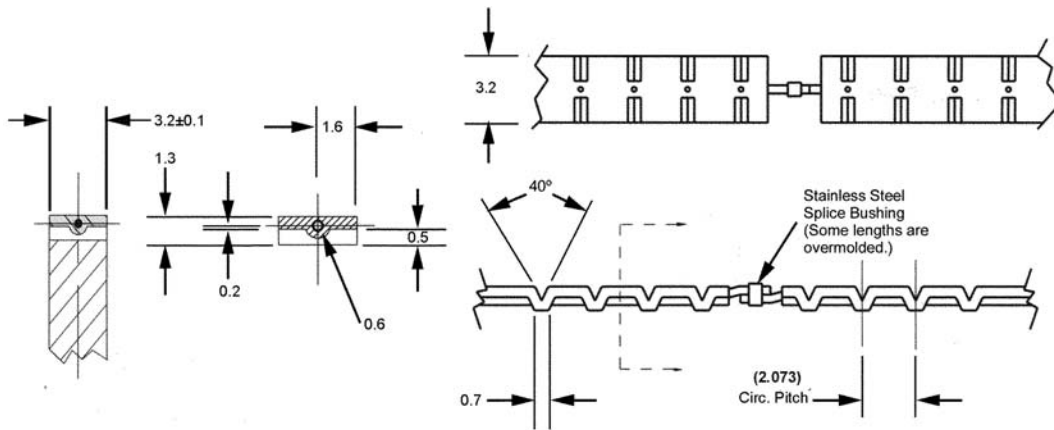


Timing Belts 2,0 mm nominal circular pitch

3,2mm wide



R1400



Material

Polyurethane (black) 90A Durometer.
Ø0,5mm stainless steel cable.

Technical Notes

No flanges required.
Infinite lengths.
Silent drive.
No-walk feature.
No lubrication
* splices are factory over-moulded.
Weight: 4,7 grams/metre.
Compact design.
Positive drive.
Light weight.
Extra strong.
Ultimate tensile strength 89N.
Temperature range +82°C to -26°C.
Recommended operating load 22N.
Recommended max operating speed 1,91m/s.

Tips

Field splice kit available (8TB-7).

Important Notes

Operates with R1400 pulleys.

Order No.	No. of Pitches	Length (Ref)
R1400.024*	24	49,7
R1400.044	44	91,2
R1400.045	45	93,3
R1400.048	48	99,5
R1400.051	51	105,7
R1400.052	52	107,8
R1400.053	53	109,9
R1400.060	60	124,4
R1400.064	64	132,7
R1400.066	66	136,8
R1400.067	67	138,9
R1400.072	72	149,2
R1400.077	77	159,6
R1400.088	88	182,4
R1400.096	96	199,0
R1400.098	98	203,1
R1400.102	102	211,4
R1400.109	109	225,9
R1400.110	110	228,0
R1400.114	114	236,3
R1400.120	120	248,7
R1400.123	123	254,9
R1400.126	126	261,2
R1400.132	132	273,6
R1400.139	139	288,1
R1400.140	140	290,2
R1400.150	150	310,9
R1400.162	162	335,8
R1400.175	175	362,7
R1400.184	184	381,4
R1400.193	193	400,0
R1400.214	214	443,5
R1400.228	228	472,6
R1400.245	245	507,8
R1400.249	249	516,1
R1400.251	251	520,2
R1400.264	264	541,2
R1400.1.5M	-	1,5 metres not spliced
R1400.3.0M	-	3,0 metres not spliced
R1400.7.5M	-	7,5 metres not spliced
R1400.15M	-	15,0 metres not spliced
R1400.30M	-	30,0 metres not spliced





Timing Pulleys - aluminium

2,0mm nominal circular pitch

R1400



Material

Aluminium DIN 3,1355 anodized.

Technical Notes

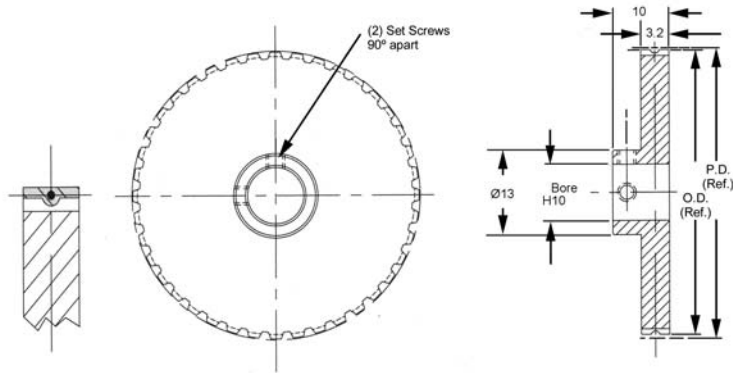
¹ For 14-18 teeth, hub diameter equals 8,1.

² Pulleys Ø12.0mm and smaller for idler use only.

For larger sizes, please see following pages.

Important Notes

Operates with R1400 belts.

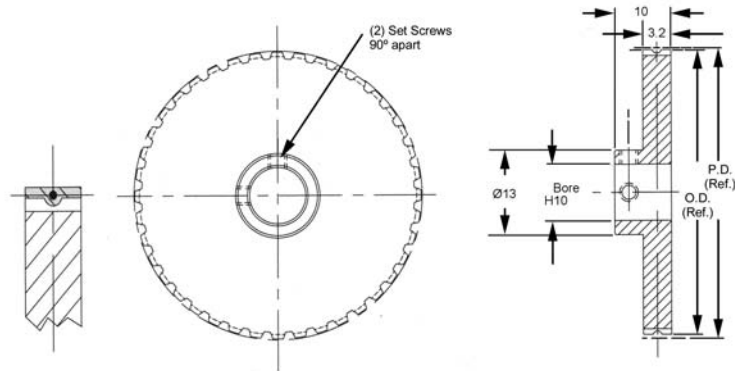


Order No.	Bore Ø	Pitch Ø	No. of teeth	Outside Ø
R1400.A014-04	Ø4	9,24	14 ^{1 2}	8,86
R1400.A015-04	Ø4	9,90	15 ^{1 2}	9,53
R1400.A018-04	Ø4	11,88	18 ^{1 2}	11,51
R1400.A020-04	Ø4	13,19	20	12,83
R1400.A024-04	Ø4	15,83	24	15,47
R1400.A025-04	Ø4	16,49	25	16,13
R1400.A028-04	Ø4	18,47	28	18,11
R1400.A030-04	Ø4	19,79	30	19,43
R1400.A032-04	Ø4	21,11	32	20,75
R1400.A034-04	Ø4	22,43	34	22,07
R1400.A036-04	Ø4	23,75	36	23,39
R1400.A038-04	Ø4	25,07	38	24,69
R1400.A040-04	Ø4	26,39	40	26,01
R1400.A042-04	Ø4	27,71	42	27,33
R1400.A044-04	Ø4	29,03	44	28,65
R1400.A048-04	Ø4	31,67	48	31,29
R1400.A050-04	Ø4	32,99	50	32,61
R1400.A054-04	Ø4	35,63	54	35,26
R1400.A060-04	Ø4	39,58	60	39,22
R1400.A072-04	Ø4	47,50	72	47,14
R1400.A075-04	Ø4	49,48	75	49,12
R1400.A080-04	Ø4	52,78	80	52,40
R1400.A084-04	Ø4	55,42	84	55,04
R1400.A088-04	Ø4	58,06	88	57,68
R1400.A090-04	Ø4	59,38	90	59,00
R1400.A096-04	Ø4	63,34	96	62,97
R1400.A098-04	Ø4	64,65	98	64,29
R1400.A100-04	Ø4	65,97	100	65,61
R1400.A120-04	Ø4	79,17	120	78,79
R1400.A014-06	Ø6	9,24	14 ^{1 2}	8,86
R1400.A015-06	Ø6	9,90	15 ^{1 2}	9,53
R1400.A018-06	Ø6	11,88	18 ^{1 2}	11,51
R1400.A020-06	Ø6	13,19	20	12,83
R1400.A024-06	Ø6	15,83	24	15,47
R1400.A025-06	Ø6	16,49	25	16,13
R1400.A028-06	Ø6	18,47	28	18,11
R1400.A030-06	Ø6	19,79	30	19,43
R1400.A032-06	Ø6	21,11	32	20,75
R1400.A034-06	Ø6	22,43	34	22,07
R1400.A036-06	Ø6	23,75	36	23,39
R1400.A038-06	Ø6	25,07	38	24,69
R1400.A040-06	Ø6	26,39	40	26,01
R1400.A042-06	Ø6	27,71	42	27,33



Timing Pulleys - aluminium

2,0mm nominal circular pitch



R1400



Material

Aluminium DIN 3,1355 anodized.

Technical Notes

¹ For 14-18 teeth, hub diameter equals 8,1.

² Pulleys Ø12.0mm and smaller for idler use only.

For smaller sizes, please see previous pages.

Important Notes

Operates with R1400 belts.



Order No.	Bore Ø	Pitch Ø	No. of teeth	Outside Ø
R1400.A044-06	Ø6	29,03	44	28,65
R1400.A048-06	Ø6	31,67	48	31,29
R1400.A050-06	Ø6	32,99	50	32,61
R1400.A054-06	Ø6	35,63	54	35,26
R1400.A060-06	Ø6	39,58	60	39,22
R1400.A072-06	Ø6	47,50	72	47,14
R1400.A075-06	Ø6	49,48	75	49,12
R1400.A080-06	Ø6	52,78	80	52,40
R1400.A084-06	Ø6	55,42	84	55,04
R1400.A088-06	Ø6	58,06	88	57,68
R1400.A090-06	Ø6	59,38	90	59,00
R1400.A096-06	Ø6	63,34	96	62,97
R1400.A098-06	Ø6	64,65	98	64,29
R1400.A100-06	Ø6	65,97	100	65,61
R1400.A120-06	Ø6	79,17	120	78,79
R1400.A014-08	Ø8	9,24	14 ^{1 2}	8,86
R1400.A015-08	Ø8	9,90	15 ^{1 2}	9,53
R1400.A018-08	Ø8	11,88	18 ^{1 2}	11,51
R1400.A020-08	Ø8	13,19	20	12,83
R1400.A024-08	Ø8	15,83	24	15,47
R1400.A025-08	Ø8	16,49	25	16,13
R1400.A028-08	Ø8	18,47	28	18,11
R1400.A030-08	Ø8	19,79	30	19,43
R1400.A032-08	Ø8	21,11	32	20,75
R1400.A034-08	Ø8	22,43	34	22,07
R1400.A036-08	Ø8	23,75	36	23,39
R1400.A038-08	Ø8	25,07	38	24,69
R1400.A040-08	Ø8	26,39	40	26,01
R1400.A042-08	Ø8	27,71	42	27,33
R1400.A044-08	Ø8	29,03	44	28,65
R1400.A048-08	Ø8	31,67	48	31,29
R1400.A050-08	Ø8	32,99	50	32,61
R1400.A054-08	Ø8	35,63	54	35,26
R1400.A060-08	Ø8	39,58	60	39,22
R1400.A072-08	Ø8	47,50	72	47,14
R1400.A075-08	Ø8	49,48	75	49,12
R1400.A080-08	Ø8	52,78	80	52,40
R1400.A084-08	Ø8	55,42	84	55,04
R1400.A088-08	Ø8	58,06	88	57,68
R1400.A090-08	Ø8	59,38	90	59,00
R1400.A096-08	Ø8	63,34	96	62,97
R1400.A098-08	Ø8	64,65	98	64,29
R1400.A100-08	Ø8	65,97	100	65,61
R1400.A120-08	Ø8	79,17	120	78,79

linear and rotary motion components

Automation