



Sprockets - acetal, pin hub

3,75mm nom. circular pitch

R1300



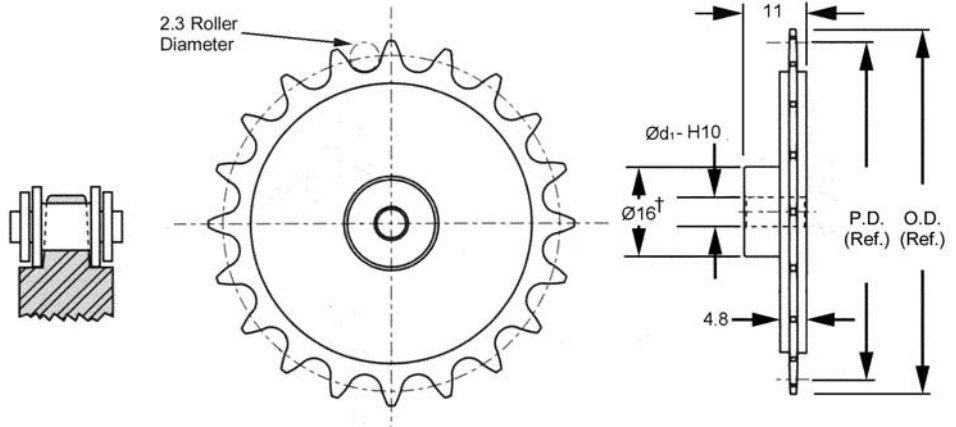
Material
Acetal.

Technical Notes

¹ Teeth runout on hub.
Other bore sizes and other no.'s of teeth are available on request.

Important Notes

Operates with R1300 chain.

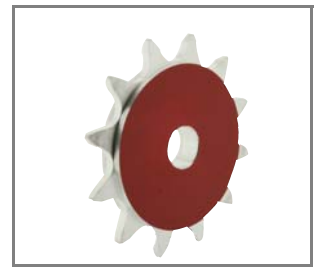
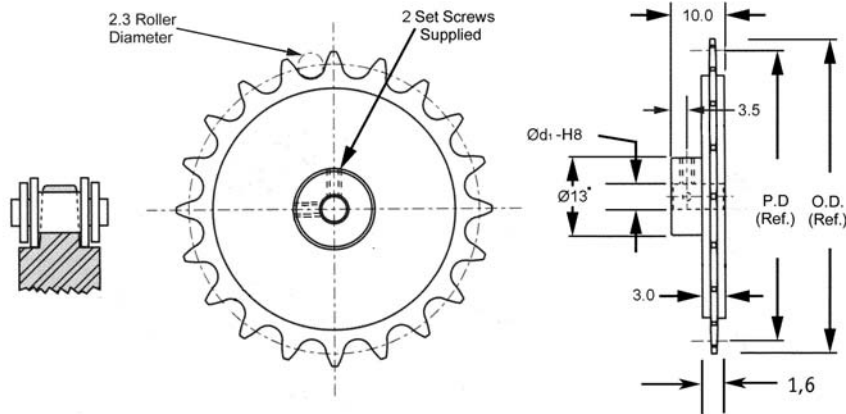


Order No.	Bore Ø	No. of teeth	Pitch Ø	Outside Ø
R1300.015-07-AC	Ø7	15 ¹	18,02	19,33
R1300.016-07-AC	Ø7	16 ¹	19,22	20,52
R1300.018-07-AC	Ø7	18	21,60	22,89
R1300.020-07-AC	Ø7	20	23,97	25,25
R1300.022-07-AC	Ø7	22	26,35	27,64
R1300.024-07-AC	Ø7	24	28,73	30,02
R1300.026-07-AC	Ø7	26	31,11	32,39
R1300.030-07-AC	Ø7	30	35,88	37,39
R1300.032-07-AC	Ø7	32	38,26	39,52
R1300.036-07-AC	Ø7	36	43,03	44,30
R1300.040-07-AC	Ø7	40	47,80	49,07
R1300.042-07-AC	Ø7	42	50,18	51,44
R1300.044-07-AC	Ø7	44	52,57	53,82
R1300.045-07-AC	Ø7	45	53,76	55,02
R1300.050-07-AC	Ø7	50	59,72	60,99
R1300.055-07-AC	Ø7	55	65,69	66,93
R1300.060-07-AC	Ø7	60	71,65	72,90
R1300.015-08-AC	Ø8	15 ¹	18,02	19,33
R1300.016-08-AC	Ø8	16 ¹	19,22	20,52
R1300.018-08-AC	Ø8	18	21,60	22,89
R1300.020-08-AC	Ø8	20	23,97	25,25
R1300.022-08-AC	Ø8	22	26,35	27,64
R1300.024-08-AC	Ø8	24	28,73	30,02
R1300.026-08-AC	Ø8	26	31,11	32,39
R1300.030-08-AC	Ø8	30	35,88	37,39
R1300.032-08-AC	Ø8	32	38,26	39,52
R1300.036-08-AC	Ø8	36	43,03	44,30
R1300.040-08-AC	Ø8	40	47,80	49,07
R1300.042-08-AC	Ø8	42	50,18	51,44
R1300.044-08-AC	Ø8	44	52,57	53,82
R1300.045-08-AC	Ø8	45	53,76	55,02
R1300.050-08-AC	Ø8	50	59,72	60,99
R1300.055-08-AC	Ø8	55	65,69	66,93
R1300.060-08-AC	Ø8	60	71,65	72,90



Sprockets - aluminium, pin hub

3,75mm nom. circular pitch



R1300



Material

Aluminium DIN 3,1355 anodized.

Technical Notes

¹ For 10-14 teeth, hub diameter equals 7,1.
Other bore sizes and other no's of teeth are available on request.
For larger sizes, please see following pages.

Important Notes

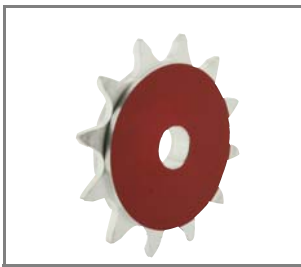
Operates with R1300 chain.



Order No.	Bore Ø	No. of teeth	Pitch Ø	Outside Ø
R1300.010-04-AL	Ø4	10 ¹	12,14	13,44
R1300.011-04-AL	Ø4	11 ¹	13,31	14,63
R1300.012-04-AL	Ø4	12 ¹	14,49	15,80
R1300.013-04-AL	Ø4	13 ¹	15,67	16,97
R1300.014-04-AL	Ø4	14 ¹	16,85	18,16
R1300.015-04-AL	Ø4	15	18,04	19,33
R1300.016-04-AL	Ø4	16	19,22	20,52
R1300.017-04-AL	Ø4	17	20,41	21,72
R1300.018-04-AL	Ø4	18	21,60	22,89
R1300.019-04-AL	Ø4	19	22,78	24,08
R1300.020-04-AL	Ø4	20	23,97	25,27
R1300.021-04-AL	Ø4	21	25,16	26,47
R1300.022-04-AL	Ø4	22	26,35	27,63
R1300.023-04-AL	Ø4	23	27,54	28,83
R1300.024-04-AL	Ø4	24	28,73	30,02
R1300.025-04-AL	Ø4	25	29,92	31,22
R1300.026-04-AL	Ø4	26	31,11	32,41
R1300.027-04-AL	Ø4	27	32,30	33,58
R1300.028-04-AL	Ø4	28	33,49	34,77
R1300.029-04-AL	Ø4	29	34,68	35,97
R1300.030-04-AL	Ø4	30	35,88	37,16
R1300.031-04-AL	Ø4	31	37,07	38,35
R1300.032-04-AL	Ø4	32	38,26	39,55
R1300.033-04-AL	Ø4	33	39,45	40,75
R1300.034-04-AL	Ø4	34	40,64	41,91
R1300.035-04-AL	Ø4	35	41,83	43,12
R1300.036-04-AL	Ø4	36	43,03	
R1300.010-06-AL	Ø6	10 ¹	12,14	13,44
R1300.011-06-AL	Ø6	11 ¹	13,31	14,63
R1300.012-06-AL	Ø6	12 ¹	14,49	15,80
R1300.013-06-AL	Ø6	13 ¹	15,67	16,97
R1300.014-06-AL	Ø6	14 ¹	16,85	18,16
R1300.015-06-AL	Ø6	15	18,04	19,33
R1300.016-06-AL	Ø6	16	19,22	20,52
R1300.017-06-AL	Ø6	17	20,41	21,72
R1300.018-06-AL	Ø6	18	21,60	22,89
R1300.019-06-AL	Ø6	19	22,78	24,08
R1300.020-06-AL	Ø6	20	23,97	25,27
R1300.021-06-AL	Ø6	21	25,16	26,47
R1300.022-06-AL	Ø6	22	26,35	27,63
R1300.023-06-AL	Ø6	23	27,54	28,83
R1300.024-06-AL	Ø6	24	28,73	30,02
R1300.025-06-AL	Ø6	25	29,92	31,22
R1300.026-06-AL	Ø6	26	31,11	32,41

linear and rotary motion components

Automation



R1300



DRIVE CHAINS & SPROCKETS

Material

Aluminium DIN 3,1355 anodized.

Technical Notes

¹ For 10-14 teeth, hub diameter equals 7,1.

Other bore sizes and other no's of teeth are available on request.

For smaller sizes, please see previous pages.

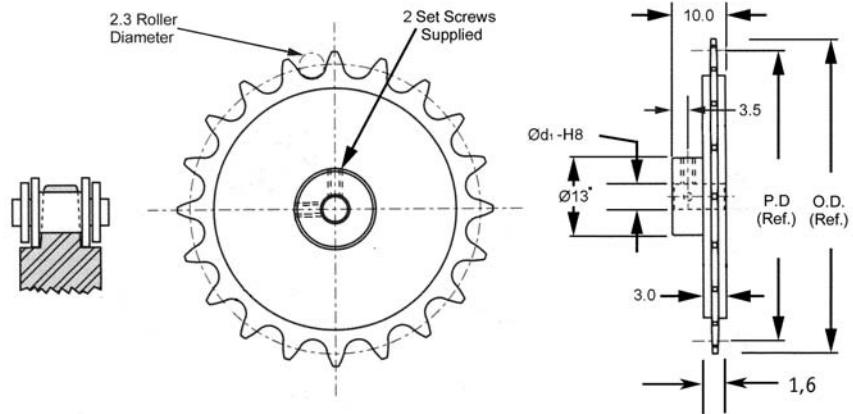
Important Notes

Operates with R1300 chain.



Sprockets - aluminium, pin hub

3,75mm nom. circular pitch

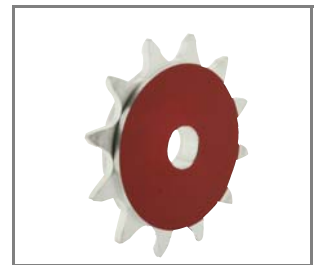
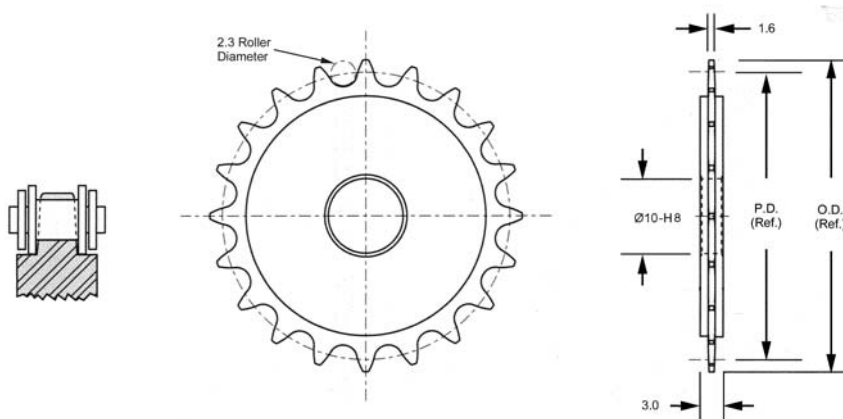


Order No.	Bore Ø	No. of teeth	Pitch Ø	Outside Ø
R1300.027-06-PH	Ø6	27	32,30	33,58
R1300.028-06-PH	Ø6	28	33,49	34,77
R1300.029-06-PH	Ø6	29	34,68	35,97
R1300.030-06-PH	Ø6	30	35,88	37,16
R1300.031-06-PH	Ø6	31	37,07	38,35
R1300.032-06-PH	Ø6	32	38,26	39,55
R1300.033-06-PH	Ø6	33	39,45	40,75
R1300.034-06-PH	Ø6	34	40,64	41,91
R1300.035-06-PH	Ø6	35	41,83	43,12
R1300.036-06-PH	Ø6	36	43,03	
R1300.010-08-PH	Ø8	10 ¹	12,14	13,44
R1300.011-08-PH	Ø8	11 ¹	13,31	14,63
R1300.012-08-PH	Ø8	12 ¹	14,49	15,80
R1300.013-08-PH	Ø8	13 ¹	15,67	16,97
R1300.014-08-PH	Ø8	14 ¹	16,85	18,16
R1300.015-08-PH	Ø8	15	18,04	19,33
R1300.016-08-PH	Ø8	16	19,22	20,52
R1300.017-08-PH	Ø8	17	20,41	21,72
R1300.018-08-PH	Ø8	18	21,60	22,89
R1300.019-08-PH	Ø8	19	22,78	24,08
R1300.020-08-PH	Ø8	20	23,97	25,27
R1300.021-08-PH	Ø8	21	25,16	26,47
R1300.022-08-PH	Ø8	22	26,35	27,63
R1300.023-08-PH	Ø8	23	27,54	28,83
R1300.024-08-PH	Ø8	24	28,73	30,02
R1300.025-08-PH	Ø8	25	29,92	31,22
R1300.026-08-PH	Ø8	26	31,11	32,41
R1300.027-08-PH	Ø8	27	32,30	33,58
R1300.028-08-PH	Ø8	28	33,49	34,77
R1300.029-08-PH	Ø8	29	34,68	35,97
R1300.030-08-PH	Ø8	30	35,88	37,16
R1300.031-08-PH	Ø8	31	37,07	38,35
R1300.032-08-PH	Ø8	32	38,26	39,55
R1300.033-08-PH	Ø8	33	39,45	40,75
R1300.034-08-PH	Ø8	34	40,64	41,91
R1300.035-08-PH	Ø8	35	41,83	43,12
R1300.036-08-PH	Ø8	36	43,03	



Sprockets - aluminium, hubless

3,75mm nom. circular pitch



R1300



Material

Aluminium DIN 3,1355 anodized.

Technical Notes

Other bore sizes and no. 's of teeth are available on request.

Important Notes

Operates with R1300 chain.

Order No Bore Ø10	No. of Teeth	Pitch DiameterØ	Outside Ø
R1300.016-10-HL	16	19,22	20,52
R1300.017-10-HL	17	20,41	21,72
R1300.018-10-HL	18	21,60	22,89
R1300.019-10-HL	19	22,78	24,08
R1300.020-10-HL	20	23,97	25,27
R1300.021-10-HL	21	25,16	26,47
R1300.022-10-HL	22	26,35	27,63
R1300.023-10-HL	23	27,54	28,83
R1300.240-10-HL	24	28,73	30,02
R1300.025-10-HL	25	29,92	31,22
R1300.026-10-HL	26	31,11	32,41
R1300.027-10-HL	27	32,30	33,58
R1300.028-10-HL	28	33,49	34,77
R1300.029-10-HL	29	34,68	35,97
R1300.030-10-HL	30	35,88	37,16
R1300.031-10-HL	31	37,07	38,35
R1300.032-10-HL	32	38,26	39,55
R1300.033-10-HL	33	39,45	40,75
R1300.034-10-HL	34	40,64	41,91
R1300.035-10-HL	35	41,83	43,12
R1300.036-10-HL	36	43,03	44,30

linear and rotary motion components

Automation