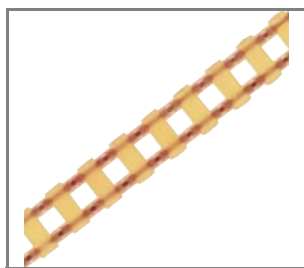


Cable Chains, 9,525mm circular pitch



R1070



Material

Polyurethane (brown) 1,2mm stainless steel cable.

Fibre cable core (aramid) also available (particularly suitable for reverse bend applications). When ordering aramid core type add suffix -EF to order no.

Technical Notes

Designed to replace standard metal rolling chain systems:

- No multiple link joints to bind.
- Lubrication is never required.
- easily modified to any length.
- large selection of mating sprockets.
- infinite lengths.
- silent drive.
- rust proof.
- 90A Durometer.
- non-magnetic.
- positive drive.
- zero backlash.
- mass 46.5 grams/metre
- ultimate tensile strength 890N - (222N/PIN) when belt is used in open loop configuration (without splice, no crimp bushing).
- temperature range +82°C to -26°C.

Recommended operating load 245N.

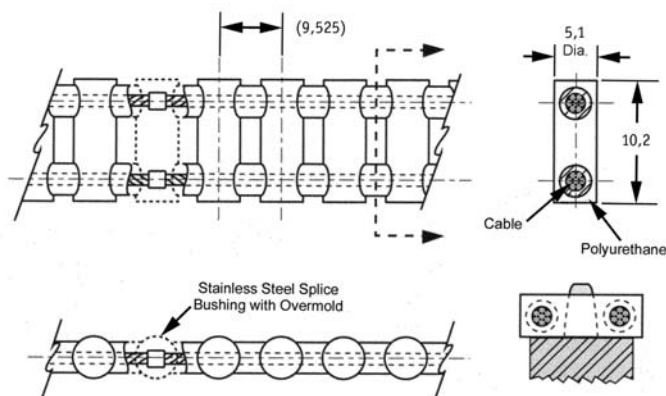
Recommended max operating speed 1,91m/s.

Tips

Self splice kit available R1070.SSK. Reduce operating load by 50% for self splices.

Important Notes

Operates R1070 series sprockets.

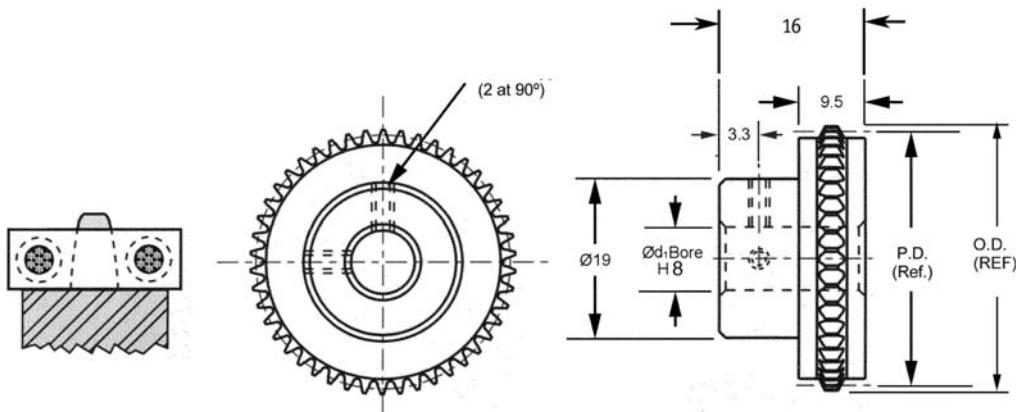


Order No.	No. of Pitches	Length (Ref)
R1070.040	40	381,0
R1070.050	50	476,2
R1070.060	60	571,5
R1070.070	70	666,7
R1070.080	80	762,0
R1070.090	90	857,2
R1070.100	100	952,5
R1070.110	110	1047,7
R1070.120	120	1143,0
R1070.130	130	1238,2
R1070.140	140	1333,5
R1070.150	150	1428,7
R1070.160	160	1524,0
R1070.170	170	1617,2
R1070.180	180	1714,5
R1070.190	190	1809,7
R1070.200	200	1905,0
R1070.210	210	2000,2
R1070.220	220	2095,5
R1070.230	230	2190,7
R1070.240	240	2286,0
R1070.250	250	2381,2
R1070.260	260	2476,5
R1070.270	270	2571,7
R1070.280	280	2667,0
R1070.290	290	2762,2
R1070.300	300	2857,5
R1070.310	310	2952,7
R1070.320	320	3048,0
R1070.330	330	3143,2
R1070.370	370	3429,0
R1070.380	380	3524,2
R1070.390	390	3714,7
R1070.1,5M	-	1,5 metres not spliced
R1070.3,0M	-	3,0 metres not spliced
R1070.7,5M	-	7,5 metres not spliced
R1070.15M	-	15,0 metres not spliced
R1070.30M	-	30,0 metres not spliced



Chain Sprockets - aluminium, pin hub

9,525mm circular pitch



R1070



Material

Aluminium DIN 3,1355 anodized.

Technical Notes

¹ Sprockets with Ø35mm PD and smaller are recommended for idler use only.

Other no.'s of teeth are available on request.

Important Notes

Operate with R1070 series chain.



Order No.	Bore Ø	No. of teeth	Pitch Ø	Outside Ø
R1070.008-08-AL	Ø8	8 ¹	24,19	29,27
R1070.009-08-AL	Ø8	9 ¹	27,22	32,30
R1070.010-08-AL	Ø8	10 ¹	30,24	35,32
R1070.011-08-AL	Ø8	11 ¹	33,27	38,35
R1070.012-08-AL	Ø8	12	36,29	41,37
R1070.014-08-AL	Ø8	14	42,34	47,42
R1070.015-08-AL	Ø8	15	45,36	50,44
R1070.016-08-AL	Ø8	16	48,39	53,47
R1070.018-08-AL	Ø8	18	54,43	59,51
R1070.020-08-AL	Ø8	20	60,48	65,56
R1070.024-08-AL	Ø8	24	72,58	77,66
R1070.025-08-AL	Ø8	25	75,60	80,68
R1070.030-08-AL	Ø8	30	90,72	95,80
R1070.032-08-AL	Ø8	32	96,77	101,85
R1070.036-08-AL	Ø8	36	108,87	113,95
R1070.040-08-AL	Ø8	40	120,96	126,04
R1070.048-08-AL	Ø8	48	145,16	150,24
R1070.008-10-AL	Ø10	8 ¹	24,19	29,27
R1070.009-10-AL	Ø10	9 ¹	27,22	32,30
R1070.010-10-AL	Ø10	10 ¹	30,24	35,32
R1070.011-10-AL	Ø10	11 ¹	33,27	38,35
R1070.012-10-AL	Ø10	12	36,29	41,37
R1070.014-10-AL	Ø10	14	42,34	47,42
R1070.015-10-AL	Ø10	15	45,36	50,44
R1070.016-10-AL	Ø10	16	48,39	53,47
R1070.018-10-AL	Ø10	18	54,43	59,51
R1070.020-10-AL	Ø10	20	60,48	65,56
R1070.024-10-AL	Ø10	24	72,58	77,66
R1070.025-10-AL	Ø10	25	75,60	80,68
R1070.030-10-AL	Ø10	30	90,72	95,80
R1070.032-10-AL	Ø10	32	96,77	101,85
R1070.036-10-AL	Ø10	36	108,87	113,95
R1070.040-10-AL	Ø10	40	120,96	126,04
R1070.048-10-AL	Ø10	48	145,16	150,24

linear and rotary motion components

Automation



Chain Sprockets - aluminium, pin hub

9,525mm circular pitch

R1070



Material

Aluminium DIN 3,1355 anodized.

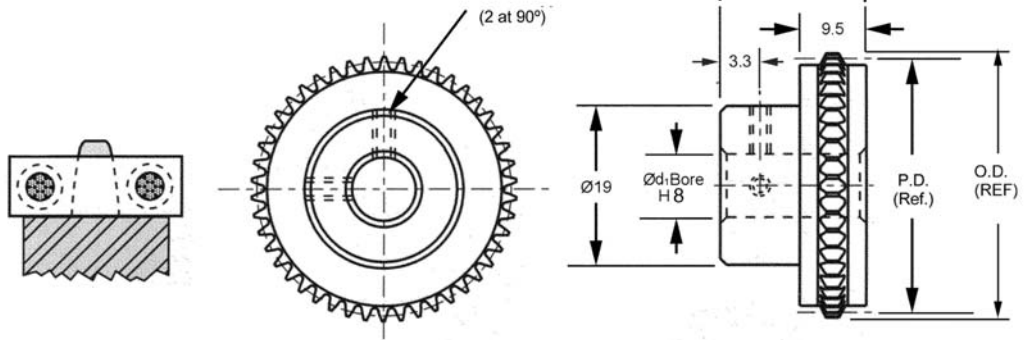
Technical Notes

¹ Sprockets with Ø35mm PD and smaller are recommended for idler use only.

Other no.'s of teeth are available on request.

Important Notes

Operate with R1070 series chain.



Order No.	Bore Ø	No. of teeth	Pitch Ø	Outside Ø
R1070.008-12-AL	Ø12	8 ¹	24,19	29,27
R1070.009-12-AL	Ø12	9 ¹	27,22	32,30
R1070.010-12-AL	Ø12	10 ¹	30,24	35,32
R1070.011-12-AL	Ø12	11 ¹	33,27	38,35
R1070.012-12-AL	Ø12	12	36,29	41,37
R1070.014-12-AL	Ø12	14	42,34	47,42
R1070.015-12-AL	Ø12	15	45,36	50,44
R1070.016-12-AL	Ø12	16	48,39	53,47
R1070.018-12-AL	Ø12	18	54,43	59,51
R1070.020-12-AL	Ø12	20	60,48	65,56
R1070.024-12-AL	Ø12	24	72,58	77,66
R1070.025-12-AL	Ø12	25	75,60	80,68
R1070.030-12-AL	Ø12	30	90,72	95,80
R1070.032-12-AL	Ø12	32	96,77	101,85
R1070.036-12-AL	Ø12	36	108,87	113,95
R1070.040-12-AL	Ø12	40	120,96	126,04
R1070.048-12-AL	Ø12	48	145,16	150,24

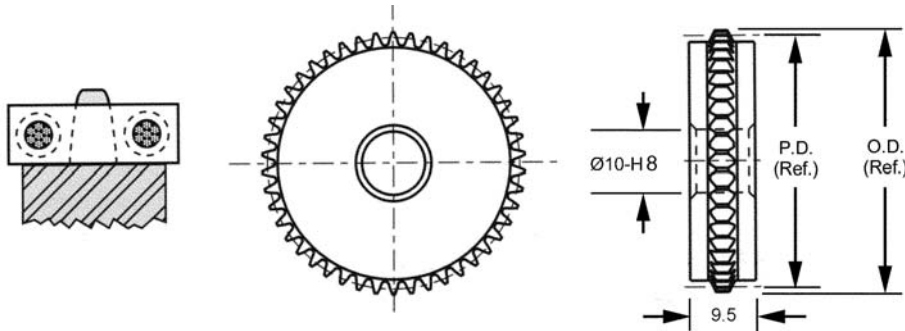


Chain Sprockets - aluminium, hubless

9,525mm circular pitch



R1070



Material

Aluminium DIN 3,1355 anodized.

Technical Notes

¹ Sprockets with Ø35mm PD and smaller are recommended for idler use only.

Other no.'s of teeth are available on request.

Important Notes

Operate with R1070 series chain.

Order No. Bore Ø10	No. of Teeth	Pitch Ø	Outside Ø
R1070.008-10-HL	8 ¹	24,19	29,27
R1070.009-10-HL	9 ¹	27,22	32,30
R1070.010-10-HL	10 ¹	30,24	35,32
R1070.011-10-HL	11 ¹	33,27	38,35
R1070.012-10-HL	12	36,29	41,37
R1070.014-10-HL	14	42,34	47,42
R1070.015-10-HL	15	45,36	50,44
R1070.016-10-HL	16	48,39	53,47
R1070.018-10-HL	18	54,43	59,51
R1070.020-10-HL	20	60,48	65,56
R1070.024-10-HL	24	72,58	77,66
R1070.025-10-HL	25	75,60	80,68
R1070.030-10-HL	30	90,72	95,80
R1070.032-10-HL	32	96,77	101,85
R1070.036-10-HL	36	108,87	113,95
R1070.040-10-HL	40	120,96	126,04
R1070.048-10-HL	48	145,16	150,24

