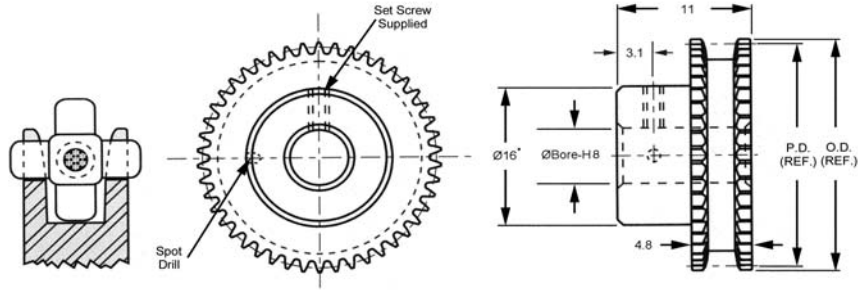


3-D Pulleys, aluminium, pin hub

4mm nominal circular pitch



R1050



Order No.	Bore Ø	No. of teeth	Pitch Ø	Outside Ø
R1050.012-04-HL	Ø4	12 ^{1 2}	15,22	16,80
R1050.013-04-HL	Ø4	13 ^{1 2}	16,49	18,07
R1050.014-04-HL	Ø4	14 ^{1 2}	17,76	19,34
R1050.015-04-HL	Ø4	15 ^{1 2}	19,03	20,61
R1050.016-04-HL	Ø4	16 ²	20,29	21,87
R1050.017-04-HL	Ø4	17	21,56	23,14
R1050.018-04-HL	Ø4	18	22,83	24,41
R1050.019-04-HL	Ø4	19	24,10	25,68
R1050.020-04-HL	Ø4	20	25,37	26,95
R1050.022-04-HL	Ø4	22	27,90	29,48
R1050.024-04-HL	Ø4	24	30,44	32,02
R1050.025-04-HL	Ø4	25	31,71	33,26
R1050.026-04-HL	Ø4	26	32,98	34,56
R1050.028-04-HL	Ø4	28	35,51	37,09
R1050.030-04-HL	Ø4	30	38,05	39,63
R1050.032-04-HL	Ø4	32	40,59	42,17
R1050.035-04-HL	Ø4	35	44,39	45,97
R1050.036-04-HL	Ø4	36	45,66	47,24
R1050.040-04-HL	Ø4	40	50,47	52,32
R1050.045-04-HL	Ø4	45	57,10	58,66
R1050.050-04-HL	Ø4	50	63,42	65,00
R1050.055-04-HL	Ø4	55	69,76	71,34
R1050.060-04-HL	Ø4	60	76,10	77,68
R1050.065-04-HL	Ø4	65	82,45	84,02
R1050.070-04-HL	Ø4	70	88,79	90,37
R1050.075-04-HL	Ø4	75	95,13	96,71
R1050.080-04-HL	Ø4	80	101,47	103,05
R1050.012-06-HL	Ø6	12 ^{1 2}	15,22	16,80
R1050.013-06-HL	Ø6	13 ^{1 2}	16,49	18,07
R1050.014-06-HL	Ø6	14 ^{1 2}	17,76	19,34
R1050.015-06-HL	Ø6	15 ^{1 2}	19,03	20,61
R1050.016-06-HL	Ø6	16 ²	20,29	21,87
R1050.017-06-HL	Ø6	17	21,56	23,14
R1050.018-06-HL	Ø6	18	22,83	24,41
R1050.019-06-HL	Ø6	19	24,10	25,68
R1050.020-06-HL	Ø6	20	25,37	26,95
R1050.022-06-HL	Ø6	22	27,90	29,48
R1050.024-06-HL	Ø6	24	30,44	32,02
R1050.025-06-HL	Ø6	25	31,71	33,26
R1050.026-06-HL	Ø6	26	32,98	34,56
R1050.028-06-HL	Ø6	28	35,51	37,09
R1050.030-06-HL	Ø6	30	38,05	39,63
R1050.032-06-HL	Ø6	32	40,59	42,17
R1050.035-06-HL	Ø6	35	44,39	45,97
R1050.036-06-HL	Ø6	36	45,66	47,24
R1050.040-06-HL	Ø6	40	50,47	52,32
R1050.045-06-HL	Ø6	45	57,10	58,66
R1050.050-06-HL	Ø6	50	63,42	65,00
R1050.055-06-HL	Ø6	55	69,76	71,34
R1050.060-06-HL	Ø6	60	76,10	77,68
R1050.065-06-HL	Ø6	65	82,45	84,02
R1050.070-06-HL	Ø6	70	88,79	90,37
R1050.075-06-HL	Ø6	75	95,13	96,71
R1050.080-06-HL	Ø6	80	101,47	103,05

Material

Aluminium DIN 3,1355 anodized.

Technical Notes

¹ sprockets with Ø19,0 PD and smaller are recommended for idler use only.

² For 12-16 teeth, hub diameter equals 10,0.

Other no's of teeth available on request.

Stainless steel version also available.

Important Notes

Operate with R1050 series chain.



linear and rotary motion components

Automation

3-D Pulleys, aluminium, pin hub

4mm nominal circular pitch



R1050



Material

Aluminium DIN 3,1355 anodized.

Technical Notes

¹ sprockets with Ø19,0 PD and smaller are recommended for idler use only.

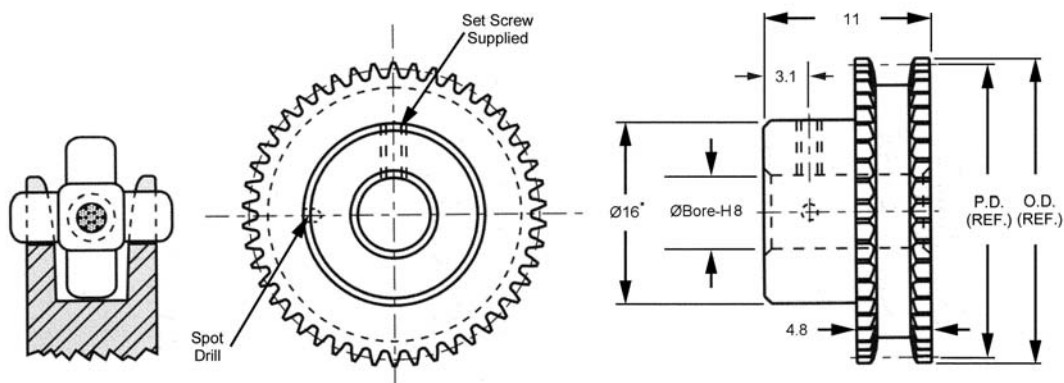
² For 12-16 teeth, hub diameter equals 10,0.

Other no's of teeth available on request.

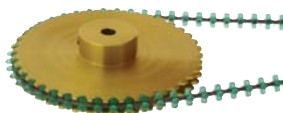
Stainless steel version also available.

Important Notes

Operate with R1050 series chain.



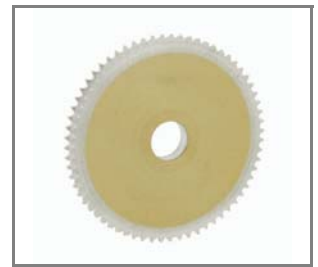
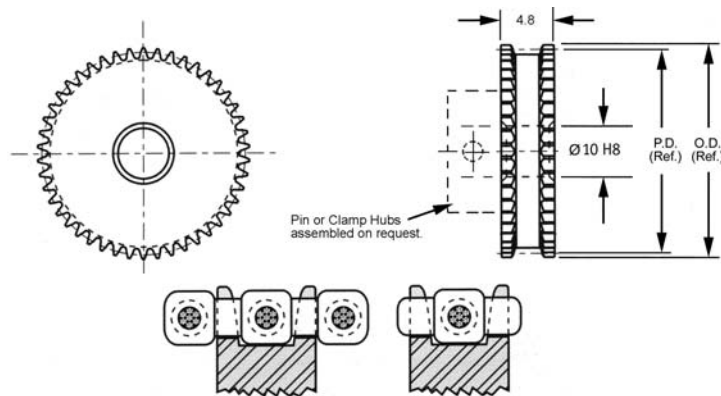
Order No.	Bore Ø	No. of teeth	Pitch Ø	Outside Ø
R1050.012-08-AL	Ø8	12 ^{1 2}	15,22	16,80
R1050.013-08-AL	Ø8	13 ^{1 2}	16,49	18,07
R1050.014-08-AL	Ø8	14 ^{1 2}	17,76	19,34
R1050.015-08-AL	Ø8	15 ^{1 2}	19,03	20,61
R1050.016-08-AL	Ø8	16 ²	20,29	21,87
R1050.017-08-AL	Ø8	17	21,56	23,14
R1050.018-08-AL	Ø8	18	22,83	24,41
R1050.019-08-AL	Ø8	19	24,10	25,68
R1050.020-08-AL	Ø8	20	25,37	26,95
R1050.022-08-AL	Ø8	22	27,90	29,48
R1050.024-08-AL	Ø8	24	30,44	32,02
R1050.025-08-AL	Ø8	25	31,71	33,26
R1050.026-08-AL	Ø8	26	32,98	34,56
R1050.028-08-AL	Ø8	28	35,51	37,09
R1050.030-08-AL	Ø8	30	38,05	39,63
R1050.032-08-AL	Ø8	32	40,59	42,17
R1050.035-08-AL	Ø8	35	44,39	45,97
R1050.036-08-AL	Ø8	36	45,66	47,24
R1050.040-08-AL	Ø8	40	50,47	52,32
R1050.045-08-AL	Ø8	45	57,10	58,66
R1050.050-08-AL	Ø8	50	63,42	65,00
R1050.055-08-AL	Ø8	55	69,76	71,34
R1050.060-08-AL	Ø8	60	76,10	77,68
R1050.065-08-AL	Ø8	65	82,45	84,02
R1050.070-08-AL	Ø8	70	88,79	90,37
R1050.075-08-AL	Ø8	75	95,13	96,71
R1050.080-08-AL	Ø8	80	101,47	103,05



Automation
linear and rotary motion components

3-D Pulleys - aluminium, hubless

4mm nominal circular pitch



R1050



Material

Aluminium DIN 3,1355 anodized.

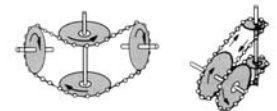
Technical Notes

Other no's of teeth available on request.

Stainless steel equivalent available.

Important Notes

Operate with R1050 series chain.



Order No.	No. of Teeth	Pitch Ø	Outside Ø
R1050.A014-H	14	17,76	19,34
R1050.A015-H	15	19,03	20,61
R1050.A016-H	16	20,29	21,87
R1050.A017-H	17	21,56	23,14
R1050.A018-H	18	22,83	24,41
R1050.A019-H	19	24,10	25,68
R1050.A020-H	20	25,37	26,95
R1050.A022-H	22	27,90	29,48
R1050.A024-H	24	30,44	32,02
R1050.A025-H	25	31,71	33,26
R1050.A026-H	26	32,98	34,56
R1050.A028-H	28	35,51	37,09
R1050.A030-H	30	38,05	39,63
R1050.A032-H	32	40,59	42,17
R1050.A035-H	35	44,39	45,97
R1050.A036-H	36	45,66	47,24
R1050.A040-H	40	50,47	52,32
R1050.A045-H	45	57,10	58,66
R1050.A050-H	50	63,41	65,00
R1050.A055-H	55	69,76	71,34
R1050.A060-H	60	76,10	77,68
R1050.A065-H	65	82,45	84,02
R1050.A070-H	70	88,79	90,37
R1050.A075-H	75	95,13	96,71
R1050.A080-H	80	101,47	103,05

linear and rotary motion components

Automation