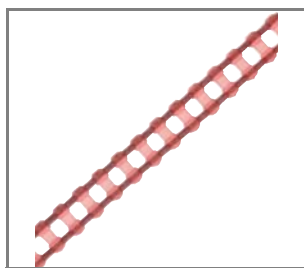


# Cable Chains, 4mm nominal circular pitch



## R1035



### Material

0,8mm Ø stainless steel cable encased in polyurethane (red).

Fibre cable core (aramid) also available (particularly suitable for reverse bend applications) - when ordering add suffix -EF to order no.

### Technical Notes

Infinite lengths.  
 Silent drive.  
 Mass 12 grams/metre.  
 Non-magnetic.  
 Positive drive.  
 Zero backlash.  
 No lubrication.  
 90A Durometer.  
 Ultimate tensile strength 445N-89N/PIN when belt is used in open loop configuration (without splice, no crimp bushings).  
 Temperature range +82°C to -26°C.  
 Recommended operating load 111N.  
 Recommended max operating speed 1,91m/s.

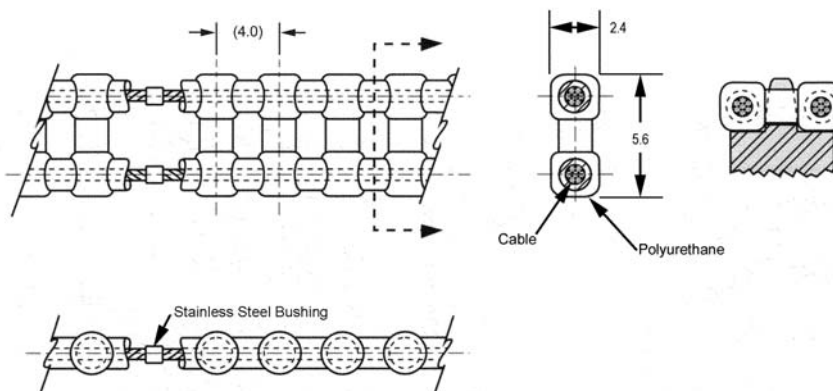
Other no's of pitches available on request.

### Tips

Self splice kits available (order no. R1035.SSK).  
 Reduce operating load rating by 50% for self splices

### Important Notes

Operates with R1035 series sprockets.

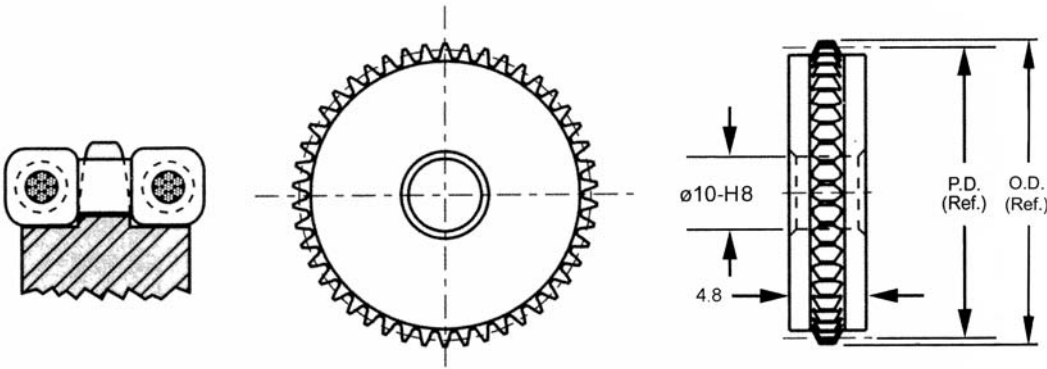


Order No.	No. of Pitches	Length (Ref)
R1035.030	30	120,0
R1035.035	35	140,0
R1035.040	40	160,0
R1035.045	45	180,0
R1035.050	50	200,0
R1035.055	55	220,0
R1035.060	60	240,0
R1035.070	70	280,0
R1035.080	80	320,0
R1035.090	90	360,0
R1035.100	100	400,0
R1035.110	110	440,0
R1035.120	120	480,0
R1035.130	130	520,0
R1035.140	140	560,0
R1035.150	150	600,0
R1035.160	160	640,0
R1035.170	170	680,0
R1035.180	180	720,0
R1035.190	190	760,0
R1035.200	200	800,0
R1035.210	210	840,0
R1035.220	220	880,0
R1035.230	230	920,0
R1035.240	240	960,0
R1035.250	250	1000,0
R1035.260	260	1040,0
R1035.270	270	1080,0
R1035.280	280	1120,0
R1035.290	290	1160,0
R1035.300	300	1200,0
R1035.310	310	1240,0
R1035.320	320	1280,0
R1035.330	330	1320,0
R1035.340	340	1360,0
R1035.350	350	1520,0
R1035.370	370	1600,0
R1035.400	400	1680,0
R1035.440	440	1760,0
R1035.1,5M	-	1,5 metres not spliced
R1035.3,0M	-	3,0 metres not spliced
R1035.7,5M	-	7,5 metres not spliced
R1035.15M	-	15,0 metres not spliced
R1035.30M	-	30,0 metres not spliced

**Automotion**  
 linear and rotary motion cc

# Chain Sprockets - aluminium, hubless

4mm nominal circular pitch



## R1035



### Material

Aluminium DIN 3,135 anodized.

### Technical Notes

<sup>1</sup> Sprockets  $\phi 19,0$  PD and smaller are recommended for idler use only.

Other no.'s of teeth are available on request.

Stainless steel version available on request.

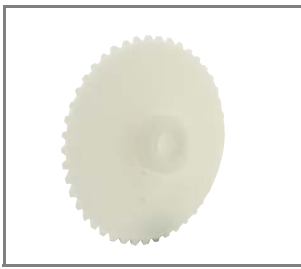
### Important Notes

Operate with R1030 series chain.

Order No. Bore $\phi 10$	No. of Teeth	Pitch Diameter	Outside Diameter
R1035.014-HL	14 <sup>1</sup>	17,76	19,34
R1035.015-HL	15	19,03	20,61
R1035.016-HL	16	20,29	21,87
R1035.017-HL	17	21,56	23,14
R1035.018-HL	18	22,83	24,41
R1035.019-HL	19	24,10	25,68
R1035.020-HL	20	25,37	26,95
R1035.022-HL	22	27,90	29,48
R1035.024-HL	24	30,44	32,02
R1035.025-HL	25	31,71	33,29
R1035.026-HL	26	32,98	34,56
R1035.028-HL	28	35,51	37,09
R1035.030-HL	30	38,05	39,63
R1035.032-HL	32	40,59	42,17
R1035.035-HL	35	44,39	45,97
R1035.036-HL	36	45,66	47,24
R1035.040-HL	40	50,74	52,32
R1035.045-HL	45	57,08	58,66
R1035.050-HL	50	63,42	65,00
R1035.055-HL	55	69,76	71,34
R1035.060-HL	60	76,10	77,68
R1035.065-HL	65	82,45	84,02
R1035.070-HL	70	88,79	90,37
R1035.075-HL	75	95,13	96,71
R1035.080-HL	80	101,47	103,05

linear and rotary motion components

# Automation



# R1035



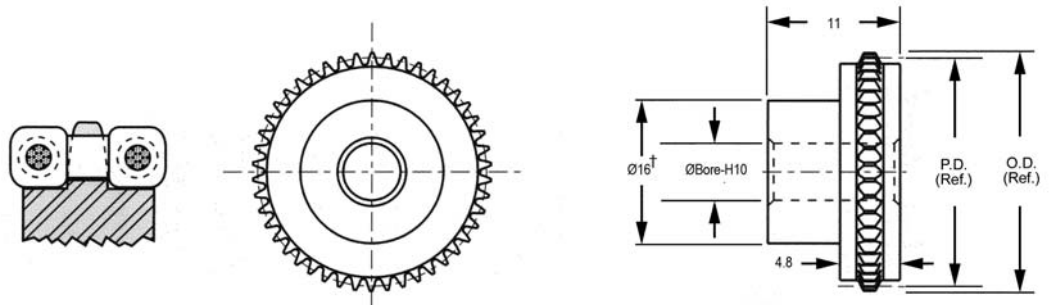
**Material**  
Polyacetal.

**Technical Notes**  
<sup>1</sup> teeth runout on hub.  
<sup>2</sup> Sprockets with Ø19,0mm PD and smaller are recommended for idler use only.  
 Other no's of teeth available on request.

**Important Notes**  
 Operate with R1035 series chain.

## Chain Sprockets - acetal, pin hub

4mm nominal circular pitch



Order No.	Bore Ø	No. of teeth	Pitch Diameter	Outside Diameter
R1035.013-07-AC	Ø7	13 <sup>1 2</sup>	16,49	18,07
R1035.014-07-AC	Ø7	14 <sup>1 2</sup>	17,76	19,34
R1035.015-07-AC	Ø7	15	19,03	20,61
R1035.016-07-AC	Ø7	16	20,29	21,87
R1035.017-07-AC	Ø7	17	21,56	23,14
R1035.018-07-AC	Ø7	18	22,83	24,41
R1035.019-07-AC	Ø7	19	24,10	25,68
R1035.020-07-AC	Ø7	20	25,37	26,95
R1035.022-07-AC	Ø7	21	27,90	29,48
R1035.024-07-AC	Ø7	22	30,44	32,02
R1035.025-07-AC	Ø7	23	31,71	33,29
R1035.026-07-AC	Ø7	24	32,98	34,56
R1035.028-07-AC	Ø7	25	35,51	37,09
R1035.030-07-AC	Ø7	26	38,05	39,63
R1035.032-07-AC	Ø7	27	40,59	42,17
R1035.035-07-AC	Ø7	28	44,39	45,97
R1035.036-07-AC	Ø7	29	45,66	47,24
R1035.040-07-AC	Ø7	30	50,74	52,32
R1035.045-07-AC	Ø7	31	57,08	58,66
R1035.050-07-AC	Ø7	32	63,42	65,00
R1035.055-07-AC	Ø7	33	69,76	71,34
R1035.013-08-AC	Ø8	13 <sup>1 2</sup>	16,49	18,07
R1035.014-08-AC	Ø8	14 <sup>1 2</sup>	17,76	19,34
R1035.015-08-AC	Ø8	15	19,03	20,61
R1035.016-08-AC	Ø8	16	20,29	21,87
R1035.017-08-AC	Ø8	17	21,56	23,14
R1035.018-08-AC	Ø8	18	22,83	24,41
R1035.019-08-AC	Ø8	19	24,10	25,68
R1035.020-08-AC	Ø8	20	25,37	26,95
R1035.022-08-AC	Ø8	21	27,90	29,48
R1035.024-08-AC	Ø8	22	30,44	32,02
R1035.025-08-AC	Ø8	23	31,71	33,29
R1035.026-08-AC	Ø8	24	32,98	34,56
R1035.028-08-AC	Ø8	25	35,51	37,09
R1035.030-08-AC	Ø8	26	38,05	39,63
R1035.032-08-AC	Ø8	27	40,59	42,17
R1035.035-08-AC	Ø8	28	44,39	45,97
R1035.036-08-AC	Ø8	29	45,66	47,24
R1035.040-08-AC	Ø8	30	50,74	52,32
R1035.045-08-AC	Ø8	31	57,08	58,66
R1035.050-08-AC	Ø8	32	63,42	65,00
R1035.055-08-AC	Ø8	33	69,76	71,34

