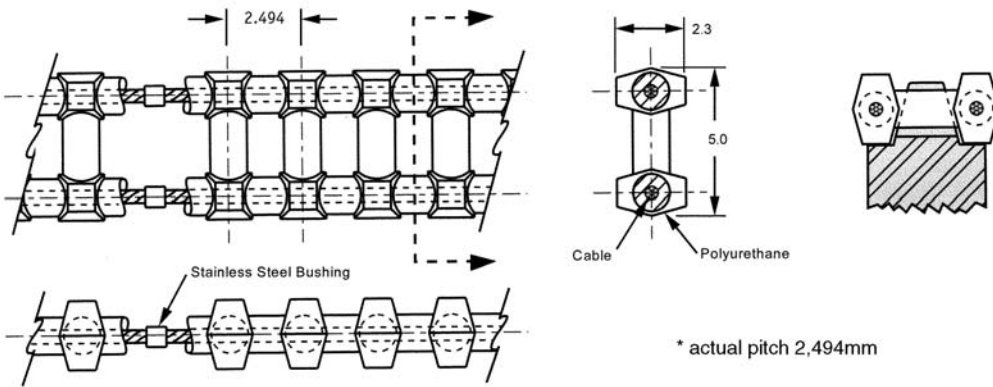
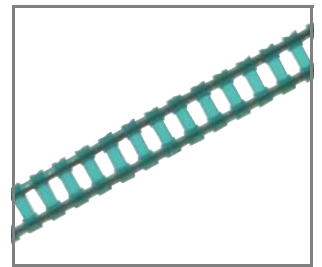


# Gear Drive Chains, 2,5mm nominal circular pitch



\* actual pitch 2,494mm



## R1000



### Material

0.5mm Ø, stainless steel cable, encased in polyurethane (blue).

Fibre cable core (aramid) also available (particularly suitable for reverse bend applications). When ordering aramid core type add suffix -EF to order no.

### Technical Notes

Infinite lengths.  
Silent drive.  
Mass 23 grams/metre.  
Positive drive.  
Zero backlash.  
No lubrication.  
90A Durometer.  
Ultimate tensile strength 130N, (17N/pin) when belt is used in open loop configuration (without splice, no crimp bushing).  
Temperature range +83°C to -26°C.  
Recommended operating load 36N.  
Recommended max. operating speed 1,19m/s.

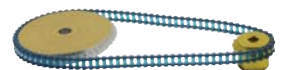
Other numbers of pitches available on request.

### Tips

Reduce operating load rating by 50% for self splices.  
For self splice kit order R1000.SSK.

### Important Notes

Operates with R1000 series sprockets.



Order No.	No. of Pitches	Length (ref)
R1000.049	49	122,2
R1000.052	52	129,7
R1000.053	53	132,2
R1000.064	64	159,6
R1000.067	67	167,1
R1000.075	75	187,0
R1000.080	80	199,5
R1000.095	95	236,9
R1000.112	112	279,3
R1000.126	126	314,2
R1000.128	128	319,2
R1000.144	144	359,1
R1000.158	158	394,1
R1000.176	176	438,9
R1000.189	189	471,4
R1000.208	208	518,8
R1000.220	220	548,7
R1000.240	240	598,6
R1000.252	252	628,5
R1000.272	272	678,4
R1000.283	283	705,8
R1000.304	304	758,2
R1000.315	315	785,6
R1000.336	336	838,0
R1000.346	346	862,9
R1000.377	377	940,2
R1000.400	400	997,6
R1000.408	408	1017,6
R1000.432	432	1077,4
R1000.440	440	1097,4
R1000.464	464	1157,2
R1000.471	471	1174,7
R1000.480	480	1197,1
R1000.512	512	1276,9
R1000.544	544	1356,7
R1000.592	592	1476,4
R1000.608	608	1516,4
R1000.1,5M	-	1,5 metres not spliced
R1000.3,0M	-	3,0 metres not spliced
R1000.7,5M	-	7,5 metres not spliced
R1000.15M	-	15,0 metres not spliced
R1000.30M	-	30,0 metres not spliced





## Sprocket Gears - aluminium, pin hub

circular pitch 2,5mm nominal

# R1000

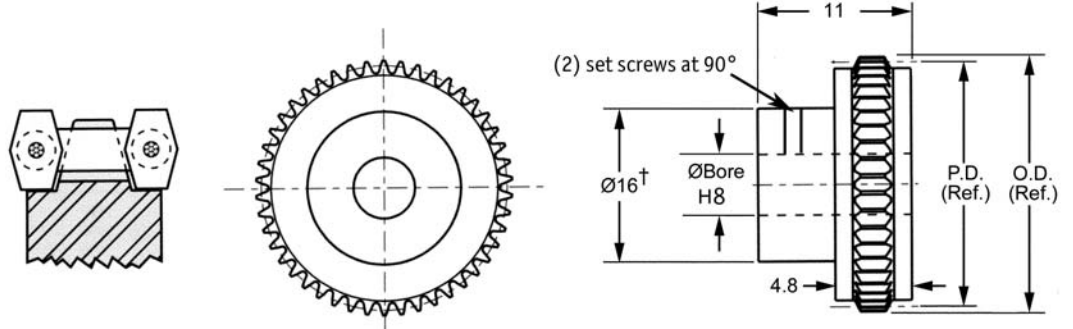


**Material**  
Aluminium DIN 3,1355 gold anodized.

**Technical Notes**  
¹ For 18-24 teeth, hub diameter equals 11,9.

Other no's of teeth available on request.

**Important Notes**  
Operate with R1000 series chain.

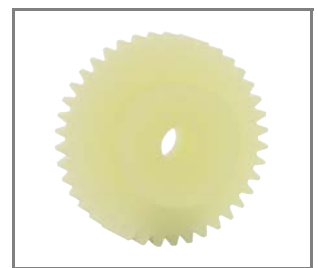
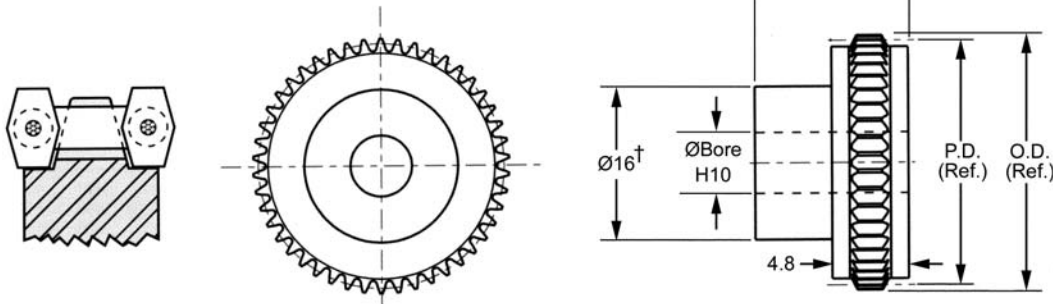


Order No.	Bore Ø	No. of Teeth	Pitch Ø P.D.	O.D. Ø
R1000.018-06-AL	Ø6	18 <sup>1</sup>	14,29	15,88
R1000.020-06-AL	Ø6	20 <sup>1</sup>	15,88	17,47
R1000.022-06-AL	Ø6	22 <sup>1</sup>	17,46	19,05
R1000.024-06-AL	Ø6	24 <sup>1</sup>	19,05	20,64
R1000.026-06-AL	Ø6	26	20,64	22,23
R1000.028-06-AL	Ø6	28	22,23	23,82
R1000.030-06-AL	Ø6	30	23,81	25,40
R1000.032-06-AL	Ø6	32	25,40	26,99
R1000.036-06-AL	Ø6	36	28,58	30,17
R1000.040-06-AL	Ø6	40	31,75	33,34
R1000.048-06-AL	Ø6	48	38,10	39,69
R1000.056-06-AL	Ø6	56	44,45	46,04
R1000.064-06-AL	Ø6	64	50,80	52,39
R1000.072-06-AL	Ø6	72	57,15	58,74
R1000.080-06-AL	Ø6	80	63,50	65,09
R1000.088-06-AL	Ø6	88	69,85	71,44
R1000.096-06-AL	Ø6	96	76,20	77,79
R1000.112-06-AL	Ø6	112	88,90	90,49
R1000.128-06-AL	Ø6	128	101,60	103,19
R1000.018-08-AL	Ø8	18 <sup>1</sup>	14,29	15,88
R1000.020-08-AL	Ø8	20 <sup>1</sup>	15,88	17,47
R1000.022-08-AL	Ø8	22 <sup>1</sup>	17,46	19,05
R1000.024-08-AL	Ø8	24 <sup>1</sup>	19,05	20,64
R1000.026-08-AL	Ø8	26	20,64	22,23
R1000.028-08-AL	Ø8	28	22,23	23,82
R1000.030-08-AL	Ø8	30	23,81	25,40
R1000.032-08-AL	Ø8	32	25,40	26,99
R1000.036-08-AL	Ø8	36	28,58	30,17
R1000.040-08-AL	Ø8	40	31,75	33,34
R1000.048-08-AL	Ø8	48	38,10	39,69
R1000.056-08-AL	Ø8	56	44,45	46,04
R1000.064-08-AL	Ø8	64	50,80	52,39
R1000.072-08-AL	Ø8	72	57,15	58,74
R1000.080-08-AL	Ø8	80	63,50	65,09
R1000.088-08-AL	Ø8	88	69,85	71,44
R1000.096-08-AL	Ø8	96	76,20	77,79
R1000.112-08-AL	Ø8	112	88,90	90,49
R1000.128-08-AL	Ø8	128	101,60	103,19



# Sprocket Gears - acetal, pin hub

circular pitch 2,5mm nominal



## R1000



### Material

Moulded acetal.

### Technical Notes

<sup>1</sup> teeth runout on hub.

Other no's of teeth available on request.

### Important Notes

Operate with R1000 series chain.

Order No.	Bore	No. of Teeth	Pitch Ø P.D.	O.D. Ø
R1000.018-07-AC	Ø7	18 <sup>1</sup>	14,29	15,88
R1000.020-07-AC	Ø7	20 <sup>1</sup>	15,88	17,47
R1000.022-07-AC	Ø7	22	17,46	19,05
R1000.024-07-AC	Ø7	24	19,05	20,64
R1000.026-07-AC	Ø7	26	20,64	22,23
R1000.028-07-AC	Ø7	28	22,23	23,82
R1000.030-07-AC	Ø7	30	23,81	25,40
R1000.032-07-AC	Ø7	32	25,40	26,99
R1000.036-07-AC	Ø7	36	28,58	30,17
R1000.040-07-AC	Ø7	40	31,75	33,34
R1000.048-07-AC	Ø7	48	38,10	36,69
R1000.056-07-AC	Ø7	56	44,45	46,04
R1000.064-07-AC	Ø7	64	50,80	52,39
R1000.072-07-AC	Ø7	72	57,15	58,74
R1000.080-07-AC	Ø7	80	63,50	65,09
R1000.018-08-AC	Ø8	18 <sup>1</sup>	14,29	15,88
R1000.020-08-AC	Ø8	20 <sup>1</sup>	15,88	17,47
R1000.022-08-AC	Ø8	22	17,46	19,05
R1000.024-08-AC	Ø8	24	19,05	20,64
R1000.026-08-AC	Ø8	26	20,64	22,23
R1000.028-08-AC	Ø8	28	22,23	23,82
R1000.030-08-AC	Ø8	30	23,81	25,40
R1000.032-08-AC	Ø8	32	25,40	26,99
R1000.036-08-AC	Ø8	36	28,58	30,17
R1000.040-08-AC	Ø8	40	31,75	33,34
R1000.048-08-AC	Ø8	48	38,10	39,69
R1000.056-08-AC	Ø8	56	44,45	46,04
R1000.064-08-AC	Ø8	64	50,80	52,39
R1000.072-08-AC	Ø8	72	57,15	58,74
R1000.080-08-AC	Ø8	80	63,50	65,09

linear and rotary motion components

# Automation