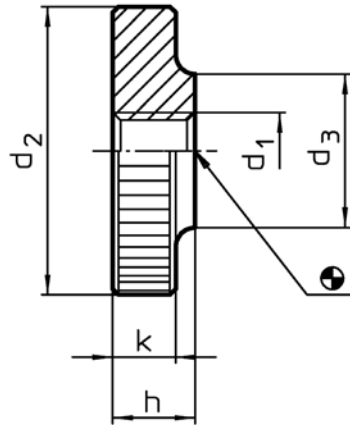


Flat Knurled Nut

stainless steel, A2



P1068




Material

Stainless steel (A2, (DIN1.4305
AISI 303).

Technical Notes

A2(AISI303) stainless steel is typically used in food, pharmaceutical and similar applications requiring a degree of corrosion protection.

Order No.	d_1	d_2	d_3	h	k	 g
P1068.002	M2	9	4,5	2,5	2	-
P1068.0025	M2,5	11	5	3	2,5	-
P1068.003	M3	12	6	3	2,5	2
P1068.004	M4	16	8	4	3,5	5
P1068.005	M5	20	10	5	4,0	10
P1068.006	M6	24	12	6	5,0	17
P1068.008	M8	30	16	8	6,0	33
P1068.010	M10	36	20	10	8,0	63

linear and rotary motion components

Automation

