



P1067



Material

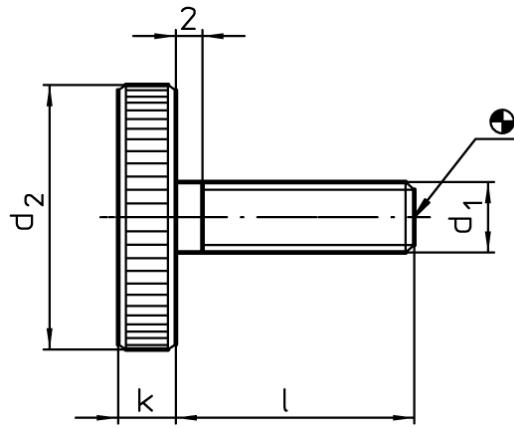
Stainless steel A2 DIN 1.4305 (AISI 303).

Technical Notes

A2(AISI303) stainless steel is typically used in food, pharmaceutical and similar applications requiring a degree of corrosion protection.

Flat Knurled Thumb Screws

stainless steel A2



Order No.	Thread d_1	l	d_2	k	$\frac{g}{g}$
P1067.04-08	M4	8	16	3,5	6,1
P1067.04-10	M4	10	16	3,5	6,2
P1067.04-10	M4	12	16	3,5	6,4
P1067.04-16	M4	16	16	3,5	6,7
P1067.05-10	M5	10	20	4,0	11,0
P1067.05-12	M5	12	20	4,0	11,3
P1067.05-16	M5	16	20	4,0	11,7
P1067.05-20	M5	20	20	4,0	12,0
P1067.06-12	M6	12	24	5,0	20,0
P1067.06-16	M6	16	24	5,0	20,4
P1067.06-20	M6	20	24	5,0	21,0
P1067.06-25	M6	25	24	5,0	22,0
P1067.08-20	M8	20	30	6,0	40,0
P1067.08-25	M8	25	30	6,0	42,0
P1067.08-30	M8	30	30	6,0	43,0
P1067.10-20	M10	20	36	8,0	73,0
P1067.10-25	M10	25	36	8,0	76,0
P1067.10-30	M10	30	36	8,0	78,0
P1067.10-40	M10	40	36	8,0	83,0

