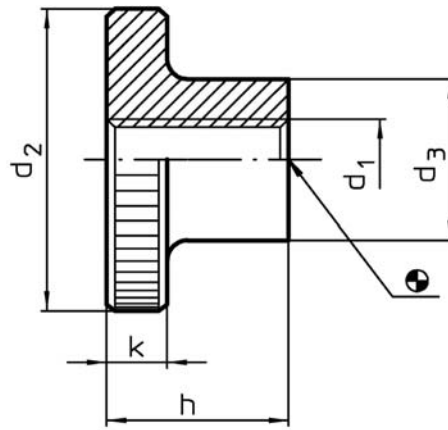




Knurled Nuts

with collar, stainless steel A2



P1065




Material

Stainless steel A2 DIN1.4305 (AISI 303). Matt, shot-blasted.

Technical Notes

A2(AISI303) stainless steel is typically used in food, pharmaceutical and similar applications requiring a degree of corrosion protection.

Order No.	d ₁	d ₂	d ₃	h	k	 g
P1065.002	M2	9	4,5	5,3	2	3
P1065.0025	M2,5	11	5	6,5	2,5	4
P1065.003	M3	12	6	7,5	2,5	5
P1065.004	M4	16	8	9,5	3,5	7
P1065.005	M5	20	10	11,5	4	13
P1065.006	M6	24	12	15	5	24
P1065.008	M8	30	16	18	6	46
P1065.010	M10	36	20	23	8	62