



P1045



Material

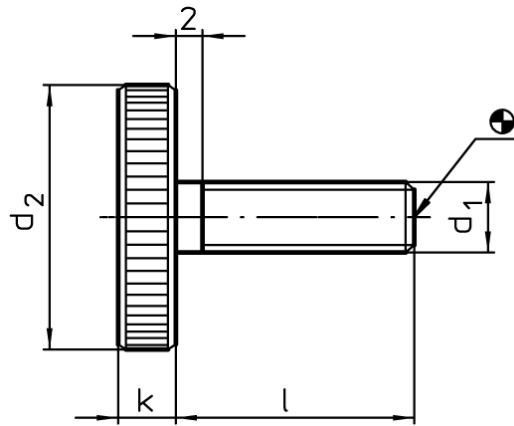
Steel, blackened. Quality 5.8.


Technical Notes

All knurled screws are one piece manufactured with thread up to the head (DIN-designation "A").

Flat Knurled Thumb Screws

steel



Order No.	d ₁	l	d ₂	k	 g
P1045.03-06	M3	6	12	2,5	2,4
P1045.03-08	M3	8	12	2,5	2,5
P1045.03-10	M3	10	12	2,5	2,6
P1045.03-16	M3	16	12	2,5	2,9
P1045.04-08	M4	8	16	3,5	6,1
P1045.04-10	M4	10	16	3,5	6,2
P1045.04-12	M4	12	16	3,5	6,4
P1045.04-16	M4	16	16	3,5	6,7
P1045.04-20	M4	20	16	3,5	7,0
P1045.04-25	M4	25	16	3,5	7,4
P1045.05-10	M5	10	20	4,0	11,0
P1045.05-12	M5	12	20	4,0	11,3
P1045.05-16	M5	16	20	4,0	11,7
P1045.05-20	M5	20	20	4,0	12,0
P1045.05-25	M5	25	20	4,0	12,6
P1045.05-30	M5	30	20	4,0	13,0
P1045.06-12	M6	12	24	5,0	20,0
P1045.06-16	M6	16	24	5,0	20,4
P1045.06-20	M6	20	24	5,0	21,0
P1045.06-25	M6	25	24	5,0	22,0
P1045.06-30	M6	30	24	5,0	22,6
P1045.08-20	M8	20	30	6,0	40,0
P1045.08-25	M8	25	30	6,0	42,0
P1045.08-30	M8	30	30	6,0	43,0
P1045.08-35	M8	35	30	6,0	45,0
P1045.08-40	M8	40	30	6,0	47,0
P1045.10-20	M10	20	36	8,0	73,0
P1045.10-25	M10	25	36	8,0	76,0
P1045.10-30	M10	30	36	8,0	78,0
P1045.10-40	M10	40	36	8,0	83,0