



# P1044



## Material

Stainless steel A2(AISI304,  
DIN1.4305).

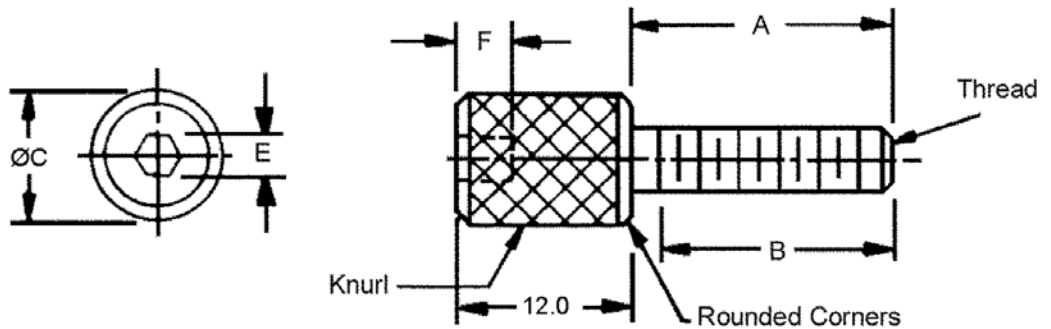
## Technical Notes

Stainless steel A2 is a hard stainless steel which may (in harsh conditions) exhibit slight signs of rusting.

Typically used in food and pharmaceutical applications.

## Knurled Thumb Screws

stainless steel A2(AISI304)



Order No.	Thread	Thread length A	Head Ø C	B	E	F (min.)
P1044.031	M3x0,5	12	6	11	2	2
P1044.032	M3x0,5	19	6	16	2	2
P1044.034	M3x0,5	12	8	11	2	2
P1044.035	M3x0,5	19	8	16	2	2
P1044.037	M3x0,5	10	10	8	3	3
P1044.038	M3x0,5	12	10	11	3	3
P1044.041	M4x0,7	12	6	11	2	2
P1044.042	M4x0,7	19	6	16	2	2
P1044.043	M4x0,7	25	6	20	2	2
P1044.044	M4x0,7	12	8	11	2	2
P1044.045	M4x0,7	19	8	16	2	2
P1044.046	M4x0,7	25	8	20	2	2
P1044.047	M4x0,7	10	10	8	3	3
P1044.048	M4x0,7	10	10	12	3	3
P1044.051	M5x0,8	12	8	11	2	2
P1044.052	M5x0,8	19	8	16	2	2
P1044.053	M5x0,8	25	8	20	2	2
P1044.054	M5x0,8	32	8	25	2	2
P1044.055	M5x0,8	12	10	11	3	3
P1044.056	M5x0,8	19	10	16	3	3
P1044.057	M5x0,8	25	10	20	3	3
P1044.058	M5x0,8	32	10	25	3	3



THREADED FASTENERS

