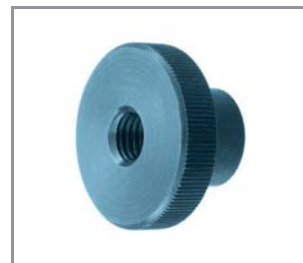
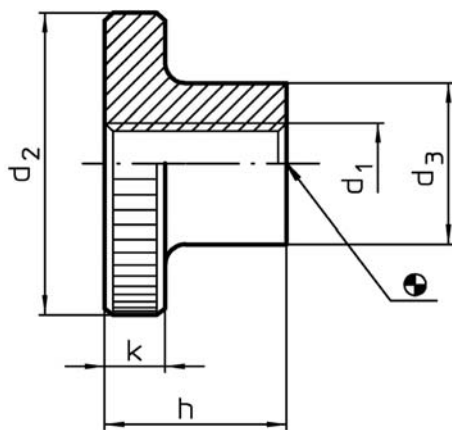


Knurled Nuts

with collar, steel



P1044




Material

Steel, blackened. Quality, 5.8

Technical Notes

Size M12 not contained in DIN standard.

Order No.	d ₁	d ₂	d ₃	h	k	 g
P1044.003	M3	12	6	7,5	2,5	3
P1044.004	M4	16	8	9,5	3,5	7
P1044.005	M5	20	10	11,5	4,0	13
P1044.006	M6	24	12	15,0	5,0	24
P1044.008	M8	30	16	18,0	6,0	46
P1044.010	M10	36	20	23,0	8,0	83
P1044.012	M12	40	22	25,0	10,0	118

Automation
linear and rotary motion components

