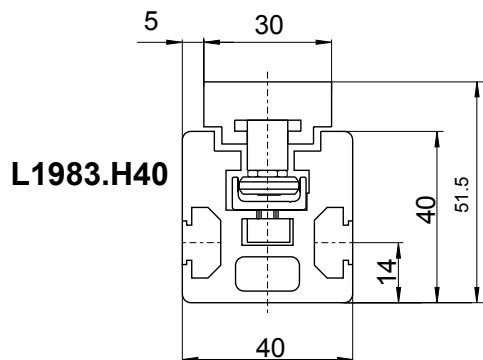


Version "H"

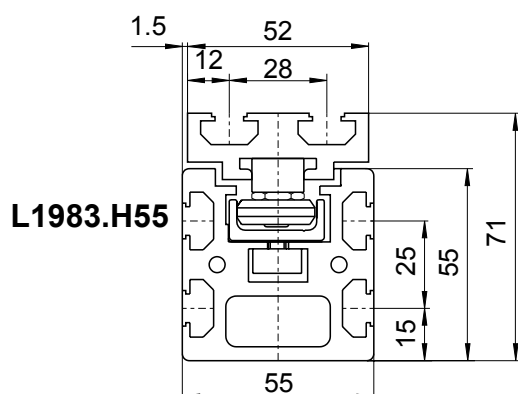
The **H** units are "slave units" with a **Compact Rail** U-rail inside. The U-rail and slider allow the units to function and absorb parallelism errors in the mounting structure. The **H** units consist of the aluminum profile, a U-rail and slider, and the trolley. There are no pulleys and there is no belt. These units must always be mounted close together with another **Uniline** actuator (**not** another **H** unit).



L1983.H40

Type	C _{0rad} [N]	C _{0ax} [N]	M _x [Nm]	M _y [Nm]	M _z [Nm]
L1983.H40	820	0	0	0	13.1
L1983.H40L	1640	0	0	0	from 61 to 192
L1983.H40D	1640	0	0	0	from 192 to 1558

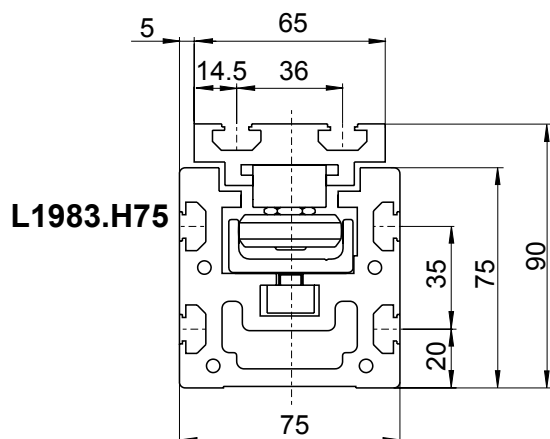
Note: the only loads these units can be subjected to are radial load and M_z moment.



L1983.H55

Type	C _{0rad} [N]	C _{0ax} [N]	M _x [Nm]	M _y [Nm]	M _z [Nm]
L1983.H55	2175	0	0	0	54.1
L1983.H55L	4350	0	0	0	from 239 to 652
L1983.H55D	4350	0	0	0	from 652 to 6667

Note: the only loads these units can be subjected to are radial load and M_z moment.



L1983.H75

Type	C _{0rad} [N]	C _{0ax} [N]	M _x [Nm]	M _y [Nm]	M _z [Nm]
L1983.H75	5500	0	0	0	209
L1983.H75L	11000	0	0	0	from 852 to 2282
L1983.H75D	11000	0	0	0	from 2288 to 18788

Note: the only loads these units can be subjected to are radial load and M_z moment.

Order codes:

