

Bearings - Thrust, roller



L1824

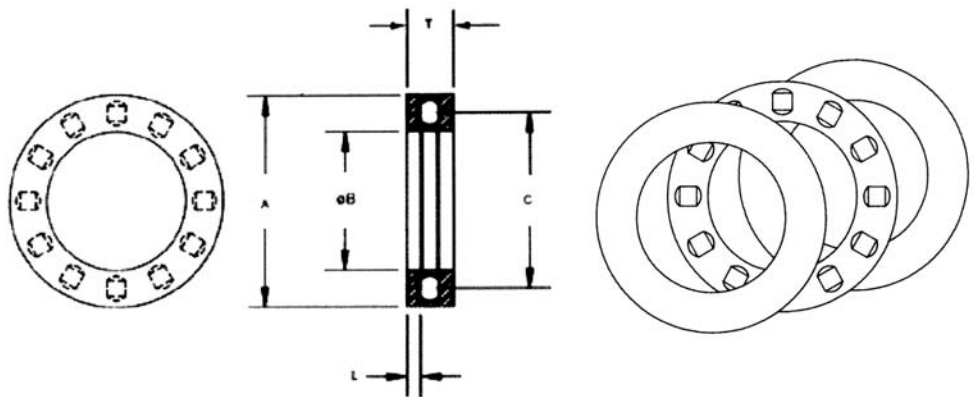


Material

Cage: Carbon Steel
Washers: 1074 Steel
Rollers 52,00 chrome steel.

Technical Notes

Items no. marked * contain a plastic cage and a max. operating temperature of 120°C continuous and 150°C intermittent.



Order No	B E10	A a12	T	L +0,000 -0,075	C	Max. dyn load (N)	Max. stat load (N)	Speed Rating rpm
BR5M-1	4	14	4,0	1,00	9,0	4450	8000	18000
BR5M-2*	5	15	4,0	1,00	10,0	4750	9200	17000
BR5M-3*	6	19	7,5	2,75	12,5	6800	15500	16000
BR5M-4*	8	21	7,5	2,75	14,5	7800	19400	15000
BR5M-5	10	24	7,5	2,75	17,5	9200	25500	14000
BR5M-6	12	26	7,5	2,75	19,5	9900	29000	13000
BR5M-7	15	28	7,5	2,75	22,0	11300	36000	11000
BR5M-8	17	30	7,5	2,75	24,0	11900	39500	10000
BR5M-9	20	35	7,5	2,75	28,0	13100	46500	8500
BR5M-10	25	42	8,0	3,00	35,0	14700	58000	7000

