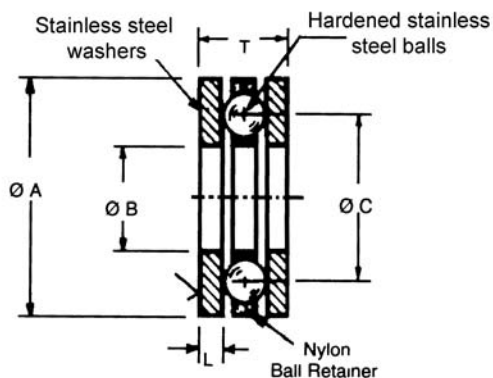
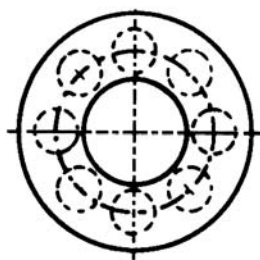


Bearings - Thrust, ball

stainless steel



L1822



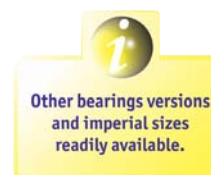
Material

Thrust washer stainless steel DIN 1,4006 series.

Balls - hardened stainless steel DIN 1,4021.

Nylon ball retainer.

Order No	ØB +0,13 -0,00	ØA +0,00 0,13	ØC	L + 0,05	T	No. of Balls	Load Rating at 15rpm (N)
L1822.005	5,00	12,00	8,7	1,30	4,98	7	323
L1822.006	6,00	14,00	10,3	1,30	4,98	8	371
L1822.007	7,00	17,00	11,9	1,30	4,98	9	418
L1822.008	8,00	16,00	11,9	1,30	4,98	6	418
L1822.010	10,00	21,00	15,1	1,60	6,38	6	467
L1822.012	12,00	24,00	18,3	1,60	6,38	8	618
L1822.016	16,00	28,00	22,2	2,40	8,80	6	755
L1822.019	19,00	32,00	25,4	2,40	8,80	8	1002
L1822.025	25,00	41,00	33,3	3,18	11,12	10	1544



linear and rotary motion components

Automation