

Bearings - Thermoplastic, light duty

plain and flanged



L1815

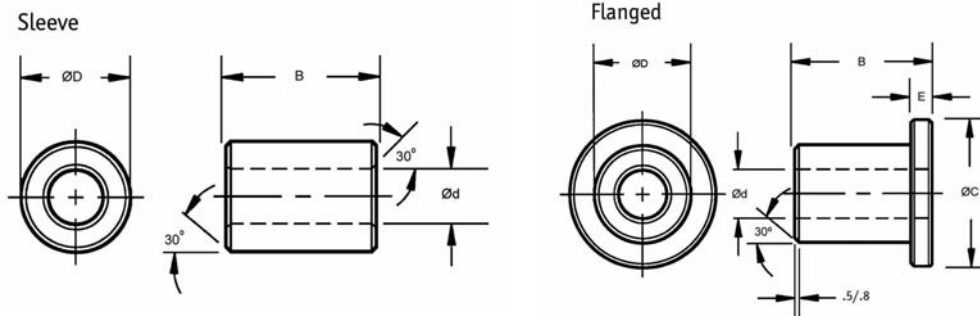


Material

Thermoplastic - see page XX for specification.

Technical Notes

Max. load 161Kg/cm².



Order No. Flanged	Order No. Sleeve	d	D	C	B	E +0 -.14	I.D. After Press Fit Max	I.D. After Press Fit Min	Housing Bore Max	Housing Bore Min	Shaft Size Max	Shaft Size Min
B16M-1	B15M-1	1	3	5	2	1	1,080	1,020	3,080	3,000	1,000	0,975
B16M-2	B15M-2	1,5	4	6	2	1	1,580	1,520	4,012	4,000	1,500	1,475
B16M-3	B15M-3	2	5	8	3	1,5	2,080	2,020	5,012	5,000	2,000	1,975
B16M-4	B15M-4	3	6	9	4	1,4	3,080	3,020	6,012	6,000	3,000	2,975
B16M-5	B15M-5	4	8	12	6	2	4,105	4,030	8,015	8,000	4,000	3,970
B16M-6	B15M-6	5	9	13	5	2	5,105	5,030	9,015	9,000	5,000	4,970
B16M-7	B15M-7	5	9	13	8	2	5,105	5,030	9,015	9,000	5,000	4,970
B16M-8	B15M-8	6	10	14	4	2	6,105	6,030	10,015	10,000	6,000	5,970
B16M-9	B15M-9	6	10	14	6	2	6,105	6,030	10,015	10,000	6,000	5,970
B16M-10	B15M-10	6	10	14	10	2	6,105	6,030	10,015	10,000	6,000	5,970
B16M-11	B15M-11	6	12	14	6	3	6,105	6,030	12,018	12,000	6,000	5,970
B16M-12	B15M-12	6	12	14	10	3	6,105	6,030	12,018	12,000	6,000	5,970
B16M-13	B15M-13	8	11	13	8	2	8,130	8,040	11,018	11,000	8,000	7,964
B16M-14	B15M-14	8	12	16	6	2	8,130	8,040	12,018	12,000	8,000	7,964
B16M-15	B15M-15	8	12	16	8	2	8,130	8,040	12,018	12,000	8,000	7,964
B16M-16	B15M-16	8	12	16	12	2	8,130	8,040	12,018	12,000	8,000	7,964
B16M-17	B15M-17	8	14	18	6	3	8,130	8,040	14,018	14,000	8,000	7,964
B16M-18	B15M-18	8	14	18	10	3	8,130	8,040	14,018	14,000	8,000	7,964
B16M-19	B15M-19	10	16	20	6	3	10,130	10,040	16,018	16,000	10,000	9,964
B16M-20	B15M-20	10	16	22	10	3	10,130	10,040	16,018	16,000	10,000	9,964
B16M-21	B15M-21	10	16	22	16	3	10,130	10,040	16,018	16,000	10,000	9,964
B16M-22	B15M-22	12	18	24	8	3	12,160	12,050	18,018	18,000	12,000	11,957
B16M-23	B15M-23	12	18	22	10	3	12,160	12,050	18,018	18,000	12,000	11,957
B16M-24	B15M-24	12	18	22	15	3	12,160	12,050	18,018	18,000	12,000	11,957
B16M-25	B15M-25	12	18	22	20	3	12,160	12,050	18,018	18,000	12,000	11,957

