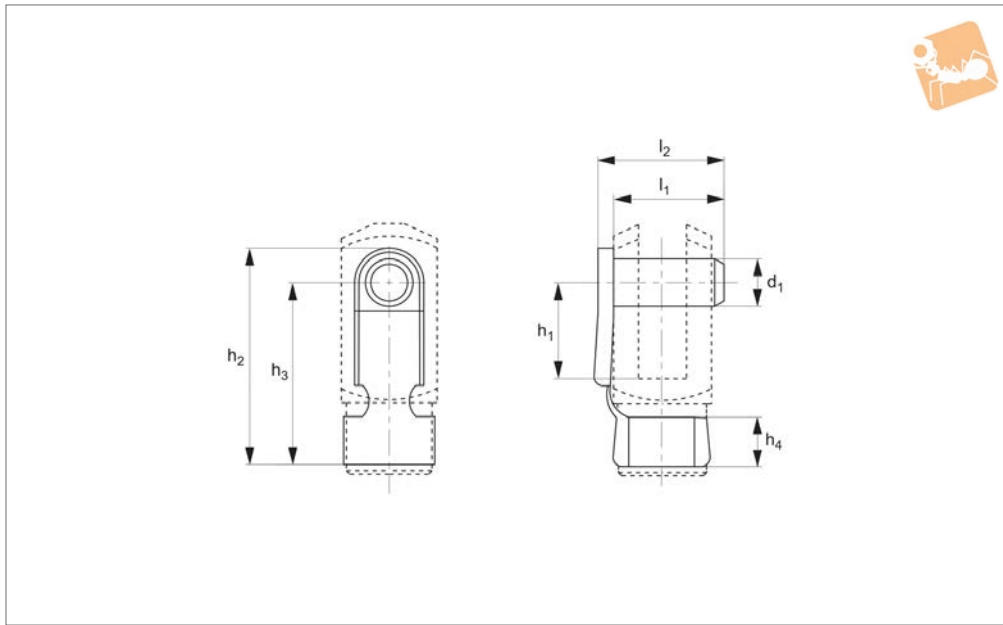




Clevis Retention Clips

stainless steel

Clevis Joints & Clips



R3438

CLEVIS JOINTS & CLIPS

Material

Stainless Steel 1.4305 AISI 303

Tips

Clips on to base of clevis joint, for clevis joint see part numbers R3402 and R3403.

Order No.	Size	d ₁	h ₁	h ₂	h ₃	h ₄	l ₁	l ₂	Weight g
R3438.048	4x8	4	8	19	15	4	9	11	2
R3438.051	5x10	5	10	23	19	4.5	9	14	3
R3438.052	5x20	5	20	33	29	4.5	12	14	3
R3438.061	6x12	6	12	28	23	6	14	16	5
R3438.062	6x24	6	24	40	35	6	14	16	6
R3438.081	8x16	8	16	37	31	8	19	23	11
R3438.083	8x32	8	32	53	47	8	19	23	12
R3438.102	10x20	10	20	46	39	10	23	27	19
R3438.104	10x40	10	40	66	59	10	23	27	20
R3438.122	12x24	12	24	55	46	12	28	32	32
R3438.124	12x48	12	48	79	71	12	28	32	34
R3438.142	14x28	14	28	62	52	14	31	34	47
R3438.145	14x56	14	56	92	82	14	31	34	50
R3438.163	16x32	16	32	72	62	16	36	41	67
R3438.166	16x64	16	64	103	92	16	36	39	74
R3438.204	20x40	20	40	88	72	16	44	49	130