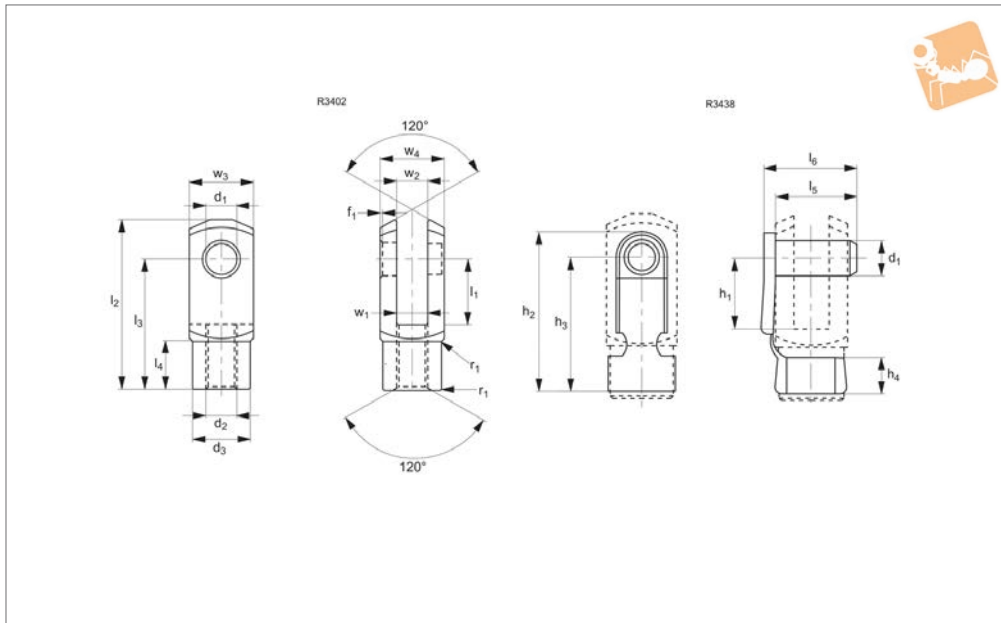




# RH Clevis Joints with Retention Clip

## Stainless Steel

# Clevis Joints & Clips



## R3400

CLEVIS JOINTS & CLIPS

### Material

Stainless steel 1.4305 AISI 303.

### Technical Notes

M4-M16: DIN 71 752/DIN ISO 8140.

M20: Similar to DIN 71 752/DIN ISO 8140 and according to CETOP standard..

### Tips

For left hand, see R3401.

Assembly made up using R3402 clevis joint and R3438 clevis retention clip.

### Important Notes

For sizes M4-M12, f1 and r1 =0,5, for sizes

M14-M16, f1 and r1 =1

For sizes M18-M20, f1=1, r1 = 1,50ther

Tolerances:-

w4: M4-M16 = +0,3 -0,16

M20

w2: size 4x8-10x20 = B13

All others +0,7 +0,15

d3: M4-M16 = ±0,3

l2: size 4x8-6x12 = ±0,3

All others ±0,4

l3: M4-M16 = ±0,2

M20

Order No.	Size	Thread hand	Thread type	d <sub>1</sub>	l <sub>1</sub>	d <sub>2</sub>	d <sub>3</sub>	l <sub>2</sub>	l <sub>3</sub>	Weight g
R3400.R040	4x8	right	Coarse	4	8	M 4	8	21	16	7
R3400.R051	5x10	right	Coarse	5	10	M 5	9	26	20	12
R3400.R052	5x20	Right	Coarse	5	20	M 5	9	36	30	16
R3400.R061	6x12	Right	Coarse	6	12	M 6	10	31	24	20
R3400.R062	6x24	Right	Coarse	6	24	M 6	10	43	36	27
R3400.R081	9x16	Right	Coarse	6	16	M 8	14	42	32	48
R3400.R082	8x16	Right	Fine	8	16	M 8x1	14	42	32	48
R3400.R083	8x32	Right	Coarse	8	32	M 8	14	58	48	54
R3400.R084	8x32	Right	Fine	8	32	M 8x1	14	58	48	54
R3400.R102	10x20	Right	Coarse	10	20	M10	18	52	40	74
R3400.R103	10x20	Right	Fine	10	20	M10x1,25	18	50	40	74
R3400.R104	10x40	Right	Coarse	10	40	M10	18	72	60	116
R3400.R105	10x40	Right	Fine	10	40	M10x1,25	18	72	60	116
R3400.R122	12x24	Right	Coarse	12	24	M12	20	62	48	121
R3400.R123	12x24	Right	Fine	12	24	M12x1,25	20	62	48	121
R3400.R124	12x48	Right	Coarse	12	45	M12	20	86	72	175
R3400.R125	12x48	Right	Fine	12	48	M12x1,25	20	86	72	175
R3400.R142	14x28	Right	Coarse	14	28	M14	24	72	56	178
R3400.R143	14x28	Right	Fine	14	28	M14x1,5	24	72	56	178
R3400.R145	14x56	Right	Coarse	14	56	M14	24	101	85	258
R3400.R146	14x56	Right	Fine	14	56	M14x1,5	24	101	85	258
R3400.R163	16x32	Right	Coarse	16	32	M16	26	83	64	282
R3400.R164	16x32	Right	Fine	16	32	M16x1,5	26	83	64	282
R3400.R166	16x64	Right	Coarse	16	64	M16	26	115	96	411
R3400.R167	16x64	Right	Fine	16	64	M16x1,5	26	115	96	411
R3400.R204	20x40	Right	Coarse	20	40	M20	34	105	80	550
R3400.R205	20x40	Right	Fine	20	40	M20x1,5	34	105	80	550



Order No.	l <sub>4</sub>	l <sub>5</sub>	l <sub>6</sub>	h <sub>1</sub>	h <sub>2</sub>	h <sub>3</sub>	h <sub>4</sub>	w <sub>1</sub>	w <sub>2</sub>	w <sub>3</sub>	w <sub>4</sub>
R3400.R040	6	9	11	8	19	15	4	4	4	4	4
R3400.R051	7.5	9	15	10	23	19	4.5	5	5	10	10
R3400.R052	7.5	12	14	20	33	29	4.5	5	5	10	10
R3400.R061	9	14	16	12	28	23	6	6	6	12	12
R3400.R062	9	14	16	24	40	35	6	6	6	12	12
R3400.R081	12	19	23	16	37	31	8	8	8	16	16
R3400.R082	12	19	23	16	37	31	8	8	8	16	16
R3400.R083	12	19	23	32	53	47	8	8	8	16	16
R3400.R084	12	19	23	32	53	47	8	8	8	16	16
R3400.R102	15	23	27	20	46	39	10	10	10	20	20
R3400.R103	15	23	27	20	46	39	10	10	10	20	20
R3400.R104	15	23	27	40	66	59	10	10	10	20	20
R3400.R105	15	23	27	40	66	59	10	10	10	20	20
R3400.R122	18	28	32	24	55	46	12	12	12	24	24
R3400.R123	18	28	32	24	55	46	12	12	12	24	24
R3400.R124	18	28	32	48	79	71	12	12	12	24	24
R3400.R125	18	28	32	48	79	71	12	12	12	24	24
R3400.R142	22.5	31	35	28	62	52	14	14	14	27	27
R3400.R143	22.5	31	35	28	62	52	14	14	14	27	27
R3400.R145	22.5	31	35	56	92	82	14	14	14	27	27
R3400.R146	22.5	31	35	56	92	82	14	14	14	27	27
R3400.R163	24	36	40	32	72	62	16	16	16	32	32
R3400.R164	24	36	40	32	72	62	16	16	16	32	32
R3400.R166	24	36	40	64	103	92	16	16	16	32	32
R3400.R167	24	36	40	64	103	92	16	16	16	32	32
R3400.R204	30	44	48	40	88	72	16	20	20	40	40
R3400.R205	30	44	48	40	88	72	16	20	20	40	40