

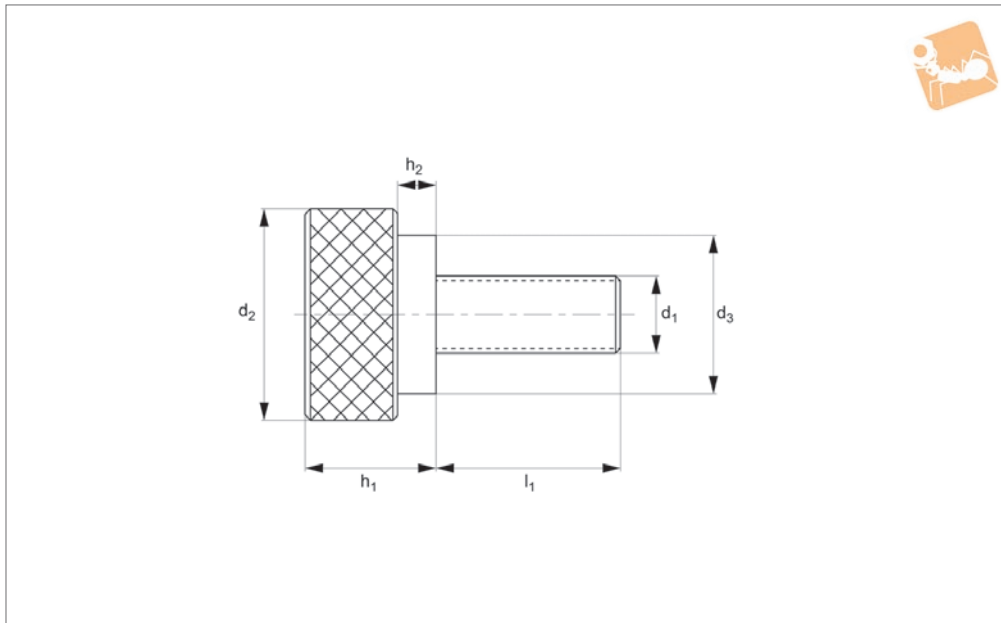


Thumb Screws with Collar

stainless 303 series, blackened



Thumb Screws



P0438.B2

THUMB SCREWS

Material

Stainless steel (AISI 303 series 1.4305), black oxide coating.

steel which may (in harsh conditions) exhibit slight signs of rusting. Typically used in food and pharmaceutical applications.

Technical Notes

Stainless steel AISI 303 is a hard stainless

Order No.	d ₁	l ₁	d ₂	d ₃	h ₁	h ₂
P0438.030-008-B2	M 3	8	10	6.5	8	2.5
P0438.030-010-B2	M 3	10	10	6.5	8	2.5
P0438.030-012-B2	M 3	12	10	6.5	8	2.5
P0438.030-014-B2	M 3	14	10	6.5	8	2.5
P0438.040-008-B2	M 4	8	12	9.5	8	2.5
P0438.040-010-B2	M 4	10	12	9.5	8	2.5
P0438.040-012-B2	M 4	12	12	9.5	8	2.5
P0438.040-014-B2	M 4	14	12	9.5	8	2.5
P0438.050-010-B2	M 5	10	12	9.5	8	2.5
P0438.050-012-B2	M 5	12	12	9.5	8	2.5
P0438.050-014-B2	M 5	14	12	9.5	8	2.5
P0438.050-016-B2	M 5	16	12	9.5	8	2.5
P0438.060-010-B2	M 6	10	14	9.5	10	3.5
P0438.060-012-B2	M 6	12	14	9.5	10	3.5
P0438.060-016-B2	M 6	16	14	9.5	10	3.5
P0438.060-020-B2	M 6	20	14	9.5	10	3.5