

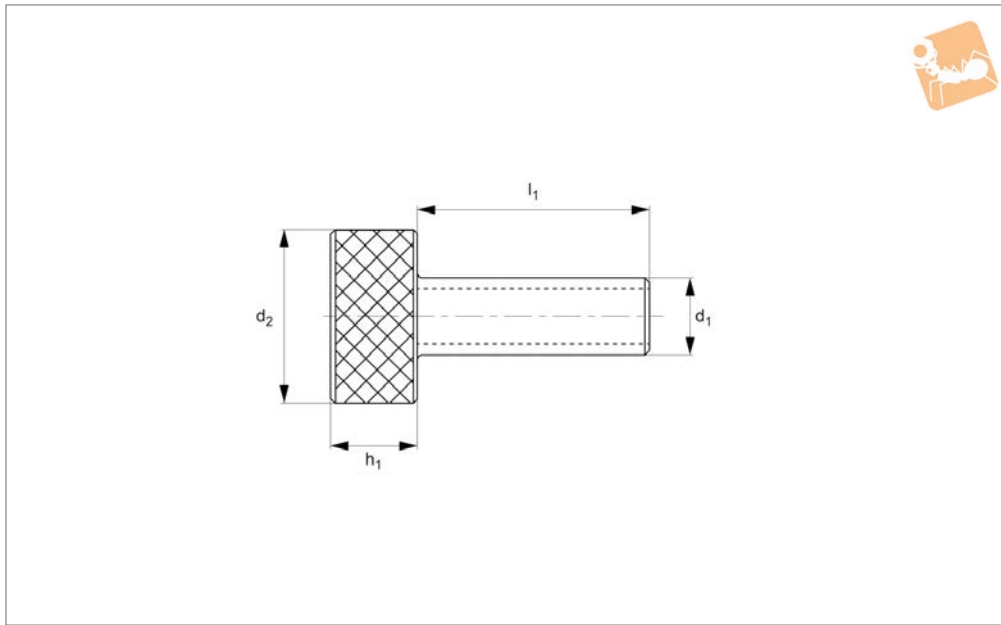


Narrow Head Thumb Screws

316 stainless, blackened



Thumb Screws



P0437.B4

THUMB SCREWS

Material

Stainless steel (AISI 316 series 1.4401), with black oxide coating.

Technical Notes

316 series stainless steel is the most corro-

sion resistant alloy of stainless steel. It resists corrosion from seawater and strong chemicals. Suitable for outdoor use and in marine, medical and chemical applications.

Order No.	d ₁	l ₁	d ₂	h ₁
P0437.030-008-B4	M 3	8	8	5
P0437.030-010-B4	M 3	10	8	5
P0437.030-012-B4	M 3	12	8	5
P0437.030-014-B4	M 3	14	8	5
P0437.040-008-B4	M 4	8	10	5
P0437.040-010-B4	M 4	10	10	5
P0437.040-012-B4	M 4	12	10	5
P0437.040-014-B4	M 4	14	10	5
P0437.040-016-B4	M 4	16	10	5
P0437.050-008-B4	M 5	8	12	5
P0437.050-010-B4	M 5	10	12	5
P0437.050-012-B4	M 5	12	12	5
P0437.050-014-B4	M 5	14	12	5
P0437.050-016-B4	M 5	16	12	5
P0437.060-012-B4	M 6	12	13	6
P0437.060-014-B4	M 6	14	13	6
P0437.060-016-B4	M 6	16	13	6
P0437.060-018-B4	M 6	18	13	6
P0437.060-020-B4	M 6	20	13	6