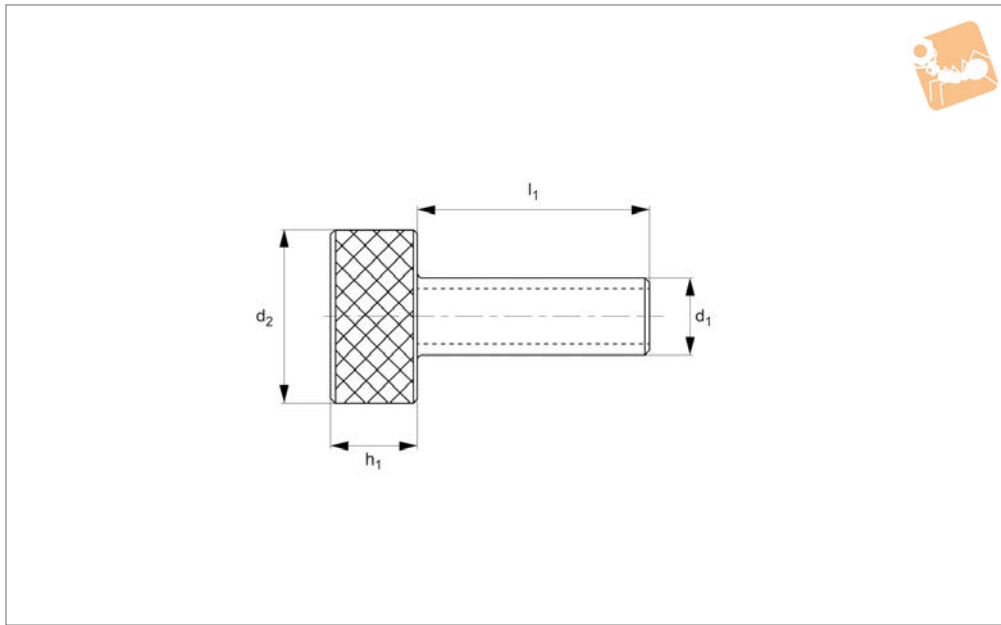




Narrow Head Thumb Screws

303 stainless, blackened



P0437.B2

THUMB SCREWS

Material

Stainless steel (AISI 303 series 1.4305), with black oxide coating.

steel which may (in harsh conditions) exhibit slight signs of rusting. Typically used in food and pharmaceutical applications.

Technical Notes

303 series stainless steel is a hard stainless

Order No.	d ₁	l ₁	d ₂	h ₁
P0437.030-008-B2	M 3	8	8	5
P0437.030-010-B2	M 3	10	8	5
P0437.030-012-B2	M 3	12	8	5
P0437.030-014-B2	M 3	14	8	5
P0437.040-008-B2	M 4	8	10	5
P0437.040-010-B2	M 4	10	10	5
P0437.040-012-B2	M 4	12	10	5
P0437.040-014-B2	M 4	14	10	5
P0437.040-016-B2	M 4	16	10	5
P0437.050-008-B2	M 5	8	12	5
P0437.050-010-B2	M 5	10	12	5
P0437.050-012-B2	M 5	12	12	5
P0437.050-014-B2	M 5	14	12	5
P0437.050-016-B2	M 5	16	12	5
P0437.060-012-B2	M 6	12	13	6
P0437.060-014-B2	M 6	14	13	6
P0437.060-016-B2	M 6	16	13	6
P0437.060-018-B2	M 6	18	13	6
P0437.060-020-B2	M 6	20	13	6