

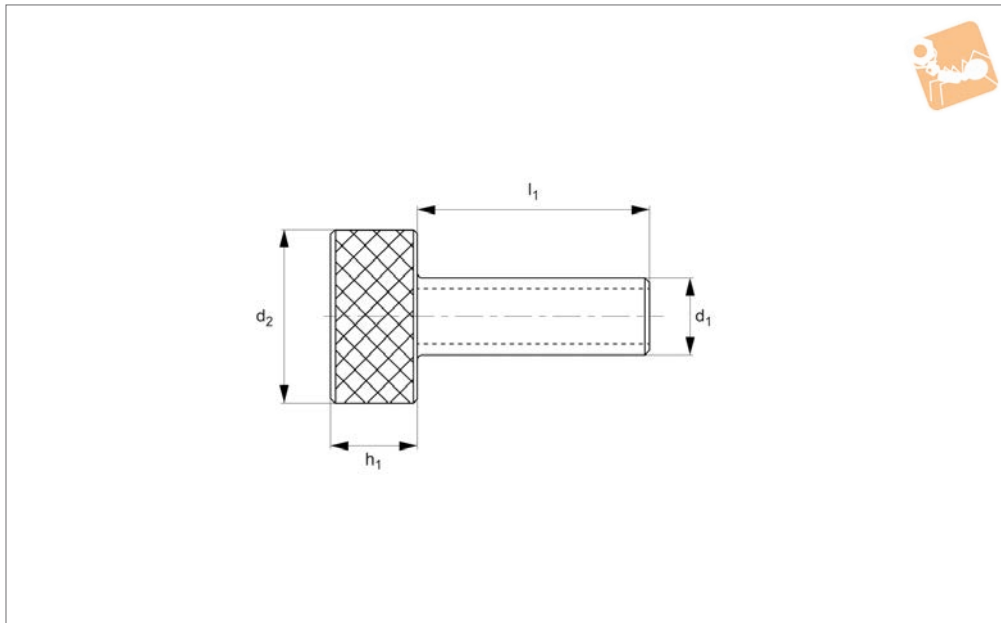


Narrow Head Thumb Screws

303 series stainless



Thumb Screws



P0437.A2

THUMB SCREWS

Material

Stainless steel (AISI 303 series 1.4305).

Technical Notes

Stainless steel 303 series is a hard stain-

less steel which may (in harsh conditions) exhibit slight signs of rusting. Typically used in food and pharmaceutical applications.

| Order No. | d ₁ | l ₁ | d ₂ | h ₁ |
|------------------|----------------|----------------|----------------|----------------|
| P0437.030-008-A2 | M 3 | 8 | 8 | 5 |
| P0437.030-010-A2 | M 3 | 10 | 8 | 5 |
| P0437.030-012-A2 | M 3 | 12 | 8 | 5 |
| P0437.030-014-A2 | M 3 | 14 | 8 | 5 |
| P0437.040-008-A2 | M 4 | 8 | 10 | 5 |
| P0437.040-010-A2 | M 4 | 10 | 10 | 5 |
| P0437.040-012-A2 | M 4 | 12 | 10 | 5 |
| P0437.040-014-A2 | M 4 | 14 | 10 | 5 |
| P0437.040-016-A2 | M 4 | 16 | 10 | 5 |
| P0437.050-008-A2 | M 5 | 8 | 12 | 5 |
| P0437.050-010-A2 | M 5 | 10 | 12 | 5 |
| P0437.050-012-A2 | M 5 | 12 | 12 | 5 |
| P0437.050-014-A2 | M 5 | 14 | 12 | 5 |
| P0437.050-016-A2 | M 5 | 16 | 12 | 5 |
| P0437.060-012-A2 | M 6 | 12 | 13 | 6 |
| P0437.060-014-A2 | M 6 | 14 | 13 | 6 |
| P0437.060-016-A2 | M 6 | 16 | 13 | 6 |
| P0437.060-018-A2 | M 6 | 18 | 13 | 6 |
| P0437.060-020-A2 | M 6 | 20 | 13 | 6 |