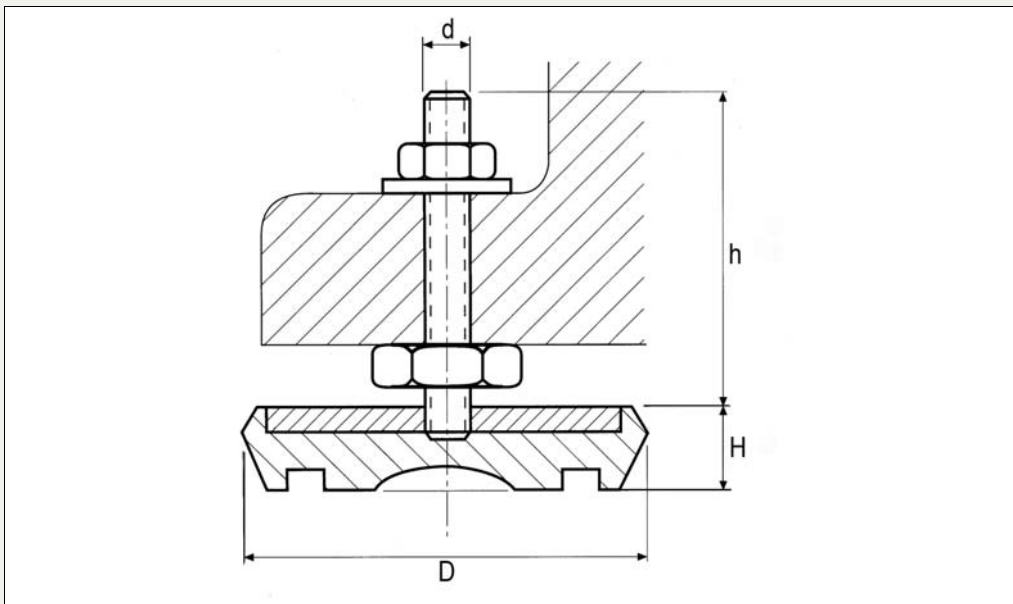


Stainless Machine Mounts

rubber base

Machine Mounts

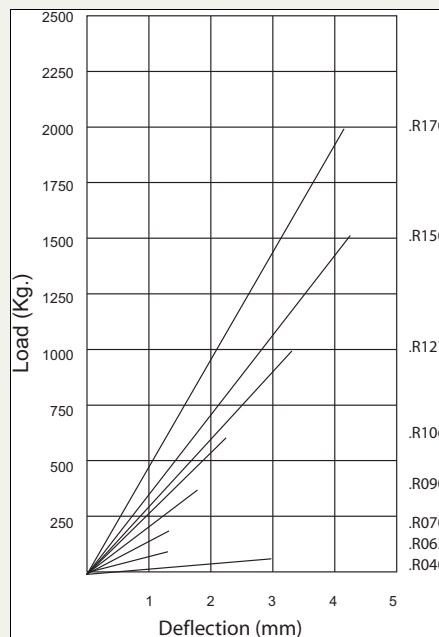


P1968

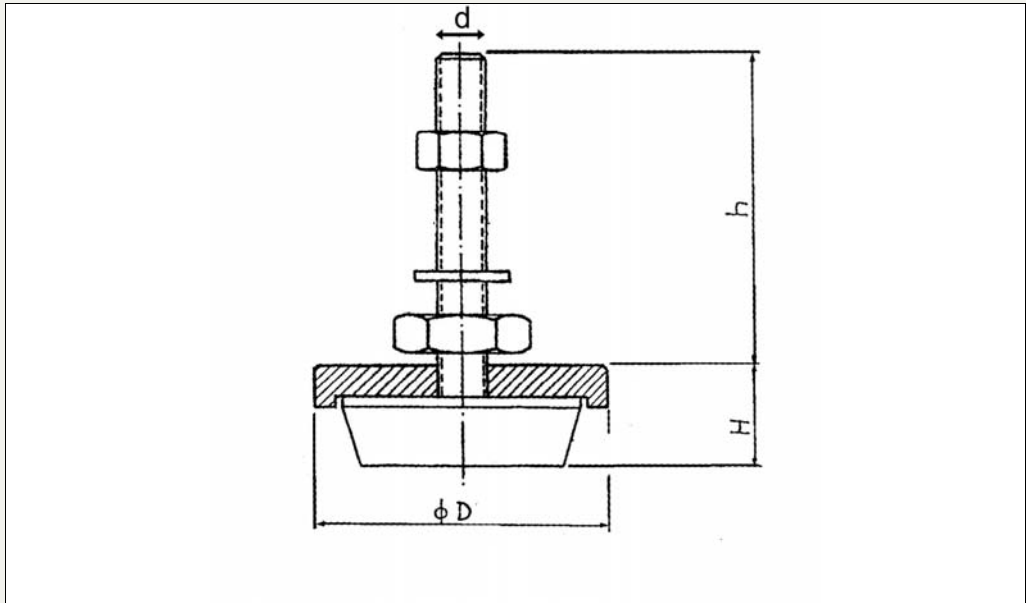
CAD

Material

Stainless steel body and thread (A2,AISI 304) with rubber base (Shore 65).



Order No.	Load range (Kgf.)	Ø D	H	d	h
P1968.040-R	0 - 60	40	15	M8	40
P1968.063-R	30 - 100	63	18	M10	83
P1968.070-R	80 - 150	70	22	M12	90
P1968.090-R	100 - 350	90	25	M12	90
P1968.106-R	300 - 600	106	29	M16	110
P1968.127-R	500 - 900	127	33	M16	110
P1968.150-R	800 - 1,500	150	39	M16	110
P1968.170-R	1,300 - 2,000	170	42	M16	110



P1969

CAD

Material

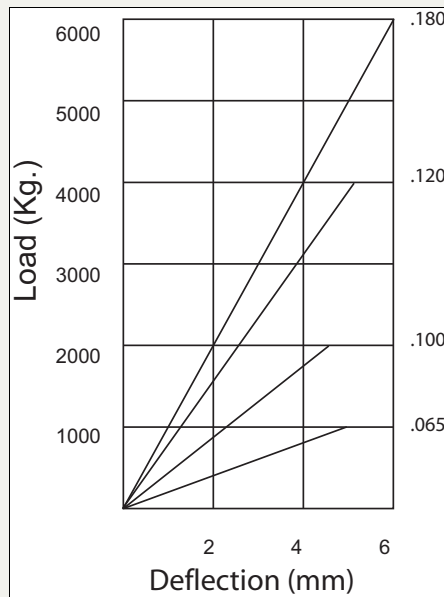
Stainless steel body and thread (A2,AISI 304) base with hard polyurethane base (Shore 80).

Technical Notes

Idealy suited for food and pharmaceutical applications. The hard polyurethane base is resistant to aggressive oils and chemicals.

Tips

The polyurethane base (Shore 80) also ensures very heavy load carrying capacity.



Order No.	Load range (Kgf.)	Ø D	H	d	h
P1969.065-P	200 - 800	65	22	M12	90
P1969.100-p	500 - 2,000	100	30	M16	110
P1969.120-p	2,000 - 4,000	120	33	M16	120
P1969.P180-p	4,000 - 6,000	180	40	M16	115