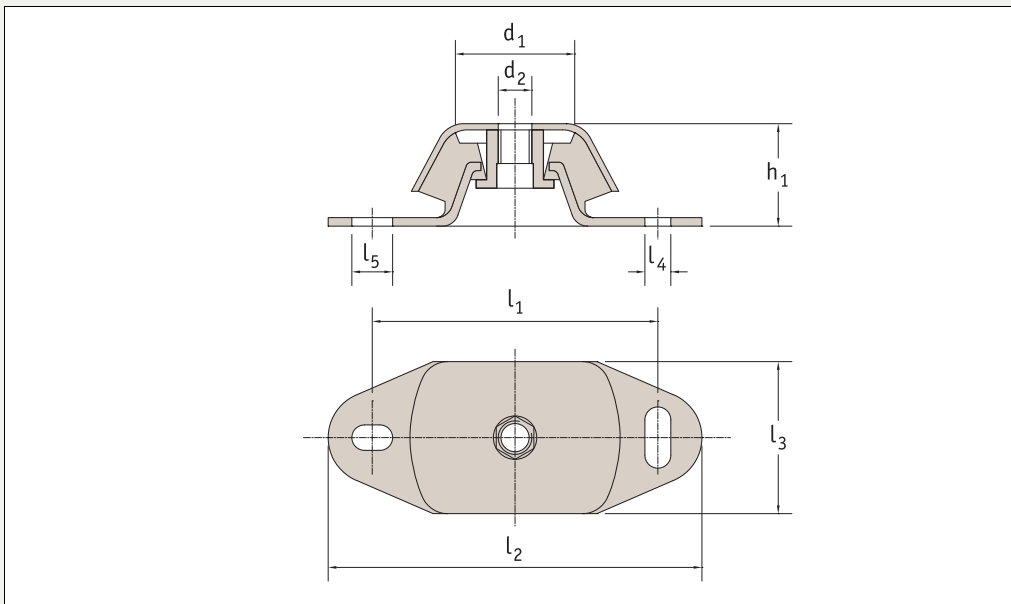


# Stainless Fail Safe A-V Mounts

stainless

Anti-vibration

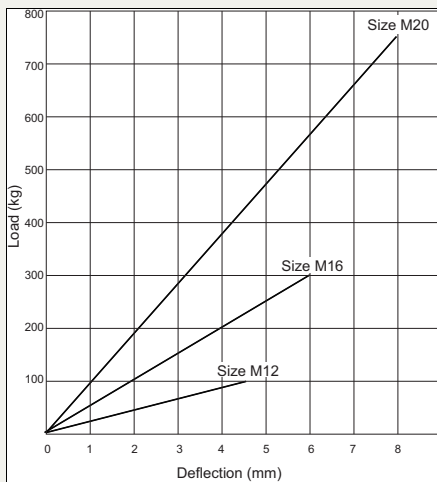


**P1829.2**

CAD

## Material

Stainless steel (304 Series). Rubber hardness - 65 Shore A.



Order No.	d <sub>1</sub>	d <sub>2</sub>	l <sub>1</sub>	l <sub>2</sub>	l <sub>3</sub>	l <sub>4</sub>	l <sub>5</sub>	h <sub>1</sub>	Max. load (Kgf)
<b>P1829.512</b>	60	M12	100	120	60	11x14	11x14	40	100
<b>P1829.516</b>	75	M16	140	183	75	13x30	20x13	50	300