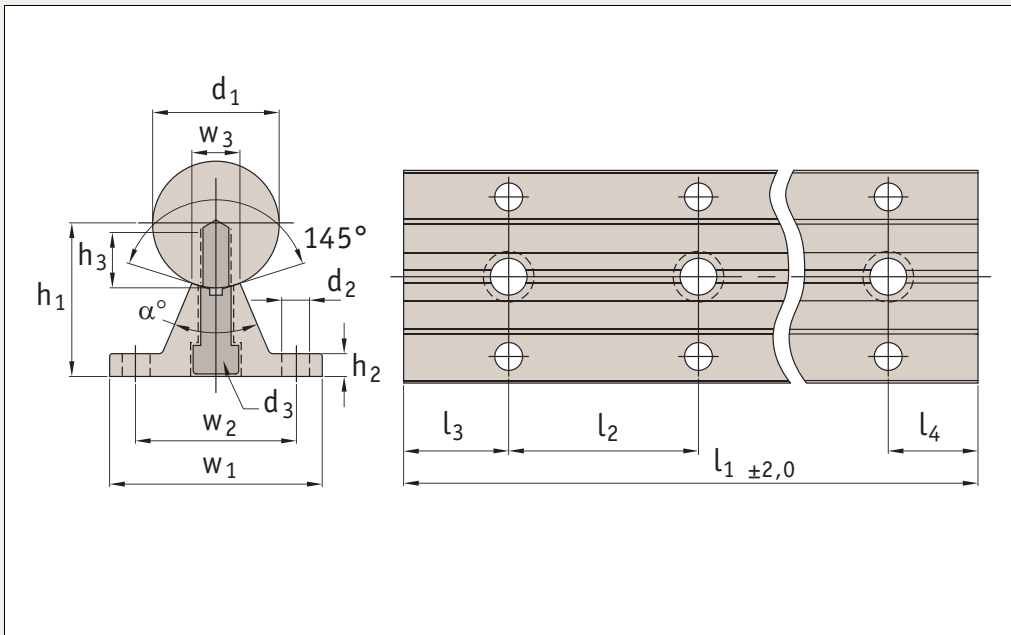


Shaft Support Rails

complete shaft and rail

Shaft Support Rails



L1780

Material

Hardened and ground steel shaft
(carbon steel 070M55, Cf53 - DIN 1.1213).

Aluminium alloy support rail. Surface hardness of steel shaft - 60 - 66 HR_C.
Aluminium alloy support rail.

Technical Notes

For open linear bushings; ensures a very rigid and stiff system. The shaft is pre-mounted to the shaft support rail.
To order specify length (l_1) and distance to first hole (l_3). Once you advise us of l_1 and l_3 we can calculate l_4 .
Other pitches (l_2) on request.

Tips

For use with linear bearing carriages (see part no. L1755 flanged or L1752 unflanged).
Stainless steel bearings also available, (see part no. L1756 flanged or L1753 unflanged).
On request a stainless steel (usually 440C) shaft can be mounted on the support rail.

Order No	d_1 h6	l_1 max.	h_1 ±0,01	l_2	w_1	w_2	w_3	d_2	d_3	h_2	h_3	α°
L1780.12-xxxx	12	6000	22	120	40	29	5,8	4,5	M 4x20	5	8	50
L1780.16-xxxx	16	6000	26	150	45	33	7,0	5,5	M 5x20	5	9	50
L1780.20-xxxx	20	6000	32	150	52	37	8,3	6,6	M 6x25	6	11	50
L1780.25-xxxx	25	6000	36	200	57	42	10,8	6,6	M 8x30	6	15	50
L1780.30-xxxx	30	6000	42	200	69	51	11,0	9,0	M10x35	7	17	50
L1780.40-xxxx	40	6000	50	300	73	55	15,0	9,0	M10x40	8	19	50
L1780.50-xxxx	50	6000	60	300	84	63	19,0	11,0	M12x45	9	21	46
L1780.60-xxxx	60	6000	68	300	94	72	25,0	11,0	M14x30	10	25	46
L1780.80-xxxx	80	6000	86	300	116	92	34,0	11,0	M16x60	12	28	46

Ordering Example

