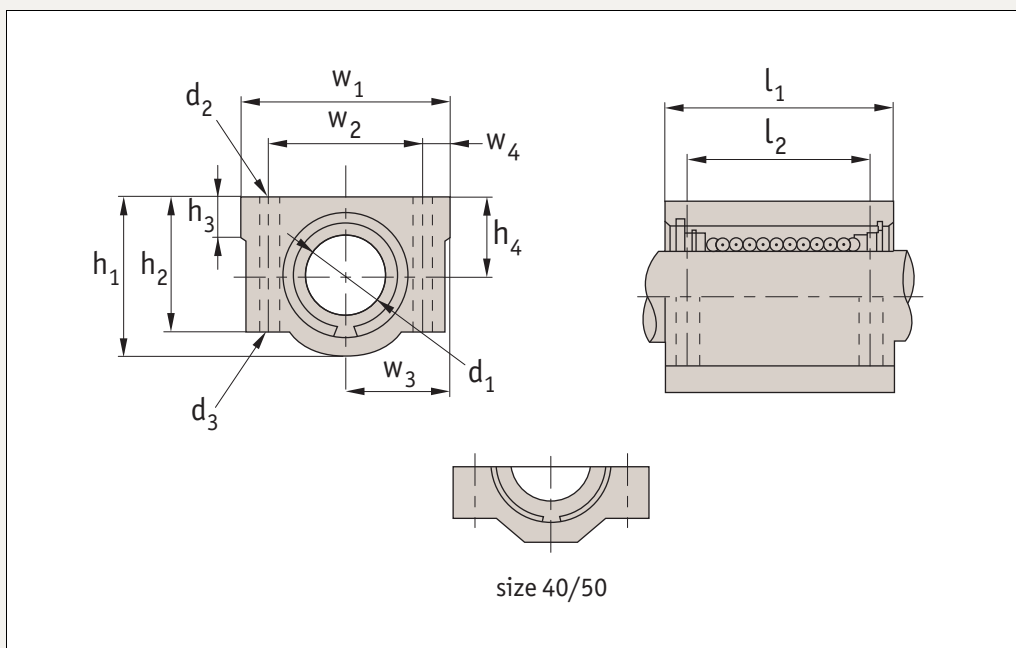




L1750



Material

Aluminium body, with linear bearing installed. Bearing has a resin retainer (POM).
Supplied with nitrile rubber (NBR) end seals -UU as standard.

Technical Notes

For use with hardened shafts only (see part nos. L1770 - L1772).
Temperature range: -20°C to +80°C.
Steel ball retainers can be supplied for higher temperature applications (up to

120°C - with no end seals. Please advise at time of ordering if this is required.

Order no.	Type	d_1 H6	l_1	d_2	d_3	l_2 ±0,2	w_1	w_2 ±0,2	$\frac{m}{g}$ g
L1750.008	Standard	8	30,0	M 4x8	3,4	18	34	24	60
L1750.012	Standard	12	39,0	M 5x10	4,3	26	44	33	118
L1750.016	Standard	16	44,0	M 5x12	4,3	34	50	36	180
L1750.020	Standard	20	53,0	M 6x12	5,2	40	54	40	245
L1750.025	Standard	25	67,0	M 8x18	6,8	50	76	54	550
L1750.030	Standard	30	76,0	M 8x18	6,8	58	78	58	760
L1750.040	Standard	40	90,0	M10x25	8,6	60	102	80	1700
L1750.050	Standard	50	110,0	M10x25	8,6	80	122	100	2950
L1750.008-L	Long	8	58,0	M 4x8	3,4	42	34	24	98
L1750.012-L	Long	12	77,0	M 5x10	4,3	64	44	33	232
L1750.016-L	Long	16	89,0	M 5x12	4,3	79	50	36	360
L1750.020-L	Long	20	106,0	M 6x12	5,2	90	54	40	490
L1750.025-L	Long	25	136,0	M 8x18	6,8	119	76	54	1100
L1750.030-L	Long	30	154,0	M 8x18	6,8	132	78	58	1525
L1750.040-L	Long	40	180,0	M10x25	8,6	150	102	80	3400
L1750.050-L	Long	50	230,0	M10x25	8,6	200	122	100	5920
L1750.008-S	Short	8	14,4	M 4x8	3,4	-	34	24	40
L1750.012-S	Short	12	20,3	M 5x10	4,3	-	44	33	82
L1750.016-S	Short	16	22,3	M 5x12	4,3	-	50	36	122
L1750.020-S	Short	20	28,3	M 6x12	5,2	-	54	40	176
L1750.025-S	Short	25	40,4	M 8x18	6,8	-	76	54	400
L1750.030-S	Short	30	48,4	M 8x18	6,8	-	78	58	570
L1750.040-S	Short	40	56,4	M10x25	8,6	-	102	80	1320
L1750.050-S	Short	50	72,3	M10x25	8,6	-	122	100	1900

Order no.	w_3 $\pm 0,02$	w_4	h_1	h_2	h_3	h_4 $\pm 0,02$	Linear ball bushing used	Max. dyn. load C N	Max. static load C_0 N
L1750.008	17	5,0	22,0	18,0	6	11	L1706.008	260	400
L1750.012	22	5,5	30,0	24,5	8	15	L1706.012	410	590
L1750.016	25	7,0	38,5	32,5	9	19	L1706.016	770	1170
L1750.020	27	7,0	41,0	35,0	11	21	L1706.020	860	1370
L1750.025	38	11,0	51,5	41,0	12	26	L1706.025	980	1560
L1750.030	39	10,0	59,5	49,0	15	30	L1706.030	1560	2740
L1750.040	51	11,0	78,0	62,0	20	40	L1706.040	2150	4010
L1750.050	61	11,0	102,0	80,0	24	52	L1706.050	3820	7930
L1750.008-L	17	5,0	22,0	18,0	6	11	2 x L1706.008	410	800
L1750.012-L	22	5,5	30,0	24,5	8	15	2 x L1706.012	650	1180
L1750.016-L	25	7,0	38,5	32,5	9	19	2 x L1706.016	1230	2340
L1750.020-L	27	7,0	41,0	35,0	11	21	2 x L1706.020	1370	2740
L1750.025-L	38	11,0	51,5	41,0	12	26	2 x L1706.025	1560	3120
L1750.030-L	39	10,0	59,5	49,0	15	30	2 x L1706.030	2490	5480
L1750.040-L	51	11,0	78,0	62,0	20	40	2 x L1706.040	3440	8020
L1750.050-L	61	11,0	102,0	80,0	24	52	2 x L1706.050	6110	15860
L1750.008-S	17	5,0	22,0	18,0	6	11	L1706.008	260	400
L1750.012-S	22	5,5	30,0	24,5	8	15	L1706.012	410	590
L1750.016-S	25	7,0	38,5	32,5	9	19	L1706.016	770	1170
L1750.020-S	27	7,0	41,0	35,0	11	21	L1706.020	860	1370
L1750.025-S	38	11,0	51,5	41,0	12	26	L1706.025	980	1560
L1750.030-S	39	10,0	59,5	49,0	15	30	L1706.030	1560	2740
L1750.040-S	51	11,0	78,0	62,0	20	40	L1706.040	2150	4010
L1750.050-S	61	11,0	102,0	80,0	24	52	L1706.050	3820	7930