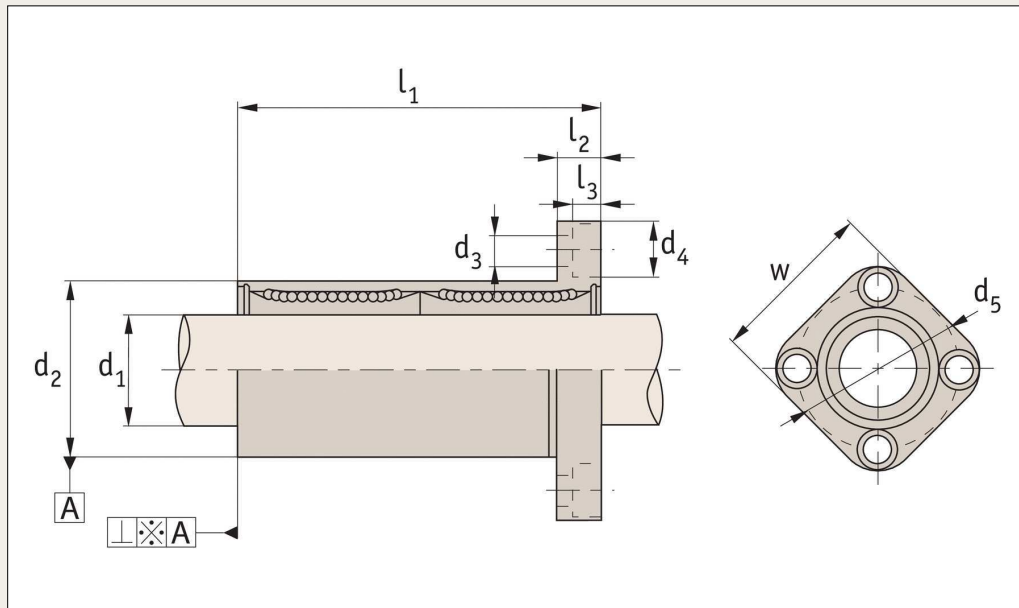


Long Flanged Linear Ball Bushings

double compliment

Linear Ball Bushings



L1723

Material

Hardened and ground body from bearing steel.
Single body resin retainer (POM).
Supplied with nitrile rubber (NBR) end-seals -UU as standard.

For use with hardened shafts only (see part nos. L1770 - L1772) - tolerance h6. For part numbers with ⁻¹ shaft tolerance required is g6.
Temperature range : -20°C to +80°C.
Steel ball retainers can be supplied for higher temperature applications (up to +120°C - with no end seals).

Please advise at time of ordering if this is required.

Tips

Nickel plated version with stainless steel balls (for corrosion resistance) on request - or stainless steel version no. L1725.

Technical notes

Order No	d ₁ H6	d ₂ h6	l ₁	d ₃	d ₄	d ₅	l ₂	l ₃	w	Square-ness A μ	No. of ball circuits	Max. dynamic load C _d N	Max. static load C ₀ N	g
L1723.006-1	6	12	35	3,4	6,5	20	5	3,3	22	15	4	320	520	31
L1723.008	8	16	45	3,4	6,5	24	5	3,3	25	15	4	430	780	53
L1723.010-1	10	19	55	4,5	8,0	29	6	4,4	30	15	4	580	1100	105
L1723.012	12	22	57	4,5	8,0	32	6	4,4	32	15	4	650	1200	100
L1723.016	16	26	70	4,5	8,0	36	6	4,4	35	15	5	1230	2350	187
L1723.020	20	32	80	5,5	9,5	43	8	5,4	42	17	5	1400	2750	260
L1723.025	25	40	112	5,5	9,5	51	8	5,4	50	17	6	1560	3140	515
L1723.030	30	47	123	6,6	11,0	62	10	6,5	60	17	6	2490	5490	655
L1723.040	40	62	154	9,0	14,0	80	13	8,6	75	20	6	3430	8040	1560
L1723.050	50	75	192	9,0	14,0	94	13	8,6	88	20	6	6080	15900	3500
L1723.060	60	90	211	11,0	17,5	112	18	10,8	106	25	6	7650	20000	4500