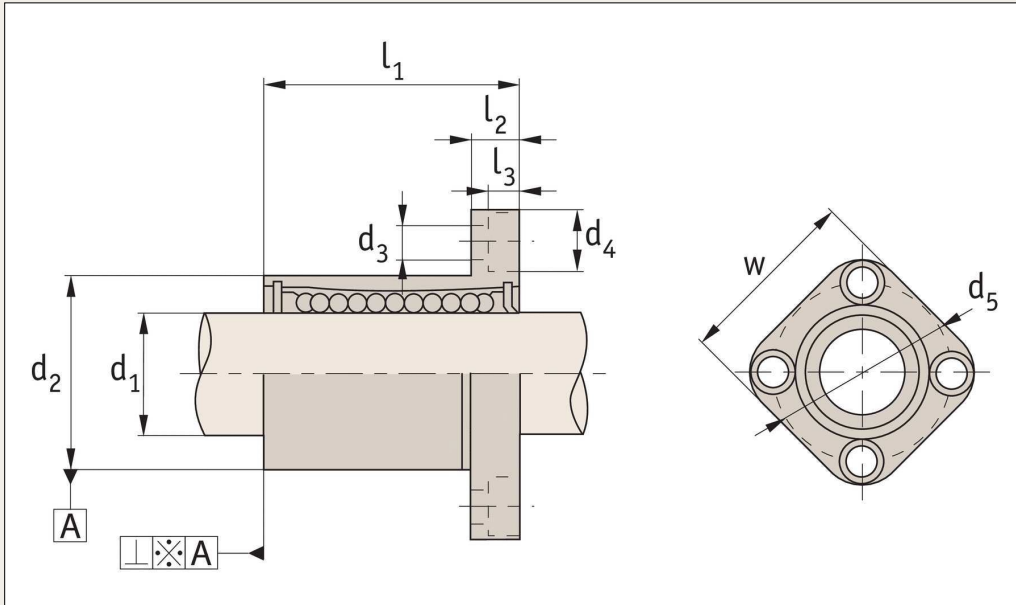


# Flanged Linear Ball Bushings

square flange

Linear Ball Bushings



**L1719**

## Material

Hardened and ground body from bearing steel.

Single body resin retainer (POM).  
Supplied with nitrile rubber (NBR) end-seals -UU as standard.

For use with hardened shafts only (see part nos. L1770 - L1772) - tolerance h6.

For part numbers with <sup>-1</sup> shaft tolerance required is g6. Temperature range : -20°C to +80°C.

Steel ball retainers can be supplied for higher temperature applications (up to +120°C) - with no end seals.

Please advise at time of ordering if this is required.

## Tips

Nickel plated version with stainless steel balls (for corrosion resistance) on request - or stainless steel version no. L1721.

## Technical notes

| Order No.   | d <sub>1</sub><br>H6 | d <sub>2</sub><br>h6 | l <sub>1</sub> | d <sub>3</sub> | d <sub>4</sub> | d <sub>5</sub> | l <sub>2</sub> | l <sub>3</sub> | w   | Square<br>-ness A<br>μ | No. of<br>ball<br>circuit<br>s | Max.<br>dynamic<br>load C N | Max.<br>static<br>load<br>C <sub>0</sub> N | Δ <sub>±</sub><br>g |
|-------------|----------------------|----------------------|----------------|----------------|----------------|----------------|----------------|----------------|-----|------------------------|--------------------------------|-----------------------------|--|---------------------|
| L1719.006-1 | 6                    | 12                   | 19             | 3,4            | 6,5            | 20             | 5              | 3,3            | 22  | 12                     | 4                              | 200                         | 260  | 26,5                |
| L1719.008   | 8                    | 16                   | 25             | 3,4            | 6,5            | 24             | 5              | 3,3            | 25  | 12                     | 4                              | 260                         | 400  | 44,0                |
| L1719.010-1 | 10                   | 19                   | 29             | 4,5            | 8,0            | 29             | 6              | 4,4            | 30  | 12                     | 4                              | 370                         | 540  | 78,0                |
| L1719.012   | 12                   | 22                   | 32             | 4,5            | 8,0            | 32             | 6              | 4,4            | 32  | 12                     | 4                              | 410                         | 590  | 86,0                |
| L1719.016   | 16                   | 26                   | 36             | 4,5            | 8,0            | 36             | 6              | 4,4            | 35  | 12                     | 5                              | 770                         | 1170                                       | 120,0               |
| L1719.020   | 20                   | 32                   | 45             | 5,5            | 9,5            | 43             | 8              | 5,4            | 42  | 15                     | 5                              | 860                         | 1370                                       | 184,0               |
| L1719.025   | 25                   | 40                   | 58             | 5,5            | 9,5            | 51             | 8              | 5,4            | 50  | 15                     | 6                              | 980                         | 1560                                       | 335,0               |
| L1719.030   | 30                   | 47                   | 68             | 6,6            | 11,0           | 62             | 10             | 6,5            | 60  | 15                     | 6                              | 1560                        | 2740                                       | 545,0               |
| L1719.040   | 40                   | 62                   | 80             | 9,0            | 14,0           | 80             | 13             | 8,6            | 75  | 20                     | 6                              | 2150                        | 4010                                       | 1185,0              |
| L1719.050   | 50                   | 75                   | 100            | 9,0            | 14,0           | 94             | 13             | 8,6            | 88  | 20                     | 6                              | 3820                        | 7930                                       | 1730,0              |
| L1719.060   | 60                   | 90                   | 125            | 11             | 17,5           | 112            | 18             | 10,8           | 106 | 25                     | 6                              | 4700                        | 9990                                       | 3180,0              |

Tel: 01483 26 67 74  
Fax: 01483 26 67 75

Email: info@automotioncomponents.co.uk  
Web: automotioncomponents.co.uk

**AUTOMOTION®**  
**COMPONENTS**