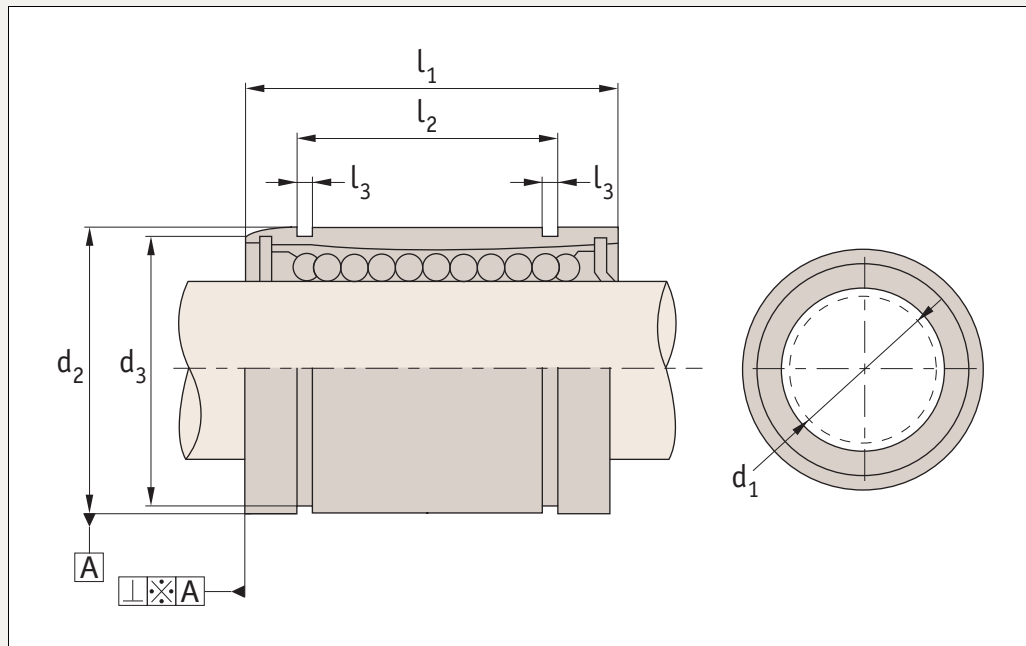




L1706



Material

Hardened and ground body from bearing steel. Single body resin retainer (POM). Supplied with nitrile rubber (NBR) end-seals -UU as standard.

Technical Notes

For use with hardened shafts only (see part nos. L1770 - L1772) - tolerance h6. Perpendicularity \perp A is better

than 15 μ .

For part numbers with ⁻¹ shaft tolerance required is g6. Temperature range: -20°C to +80°C. Steel ball retainers can be supplied for higher temperature applications up to 120°C - with no end seals. Please advise at time of ordering if this is required.

Tips

Superball linear bearings are also available (3 x load rating of standard bushings and 27 x travel life see part nos. L1740 and L1742.) Nickel plated version with stainless steel balls (for corrosion resistance) on request - or stainless steel version no. L1709.

Order No.	d ₁ H6	d ₂ h6	l ₁ +0,-0,3	d ₃	l ₂ +0,-0,3	l ₃	No. of ball circuits	Max. dynamic load C N	Max. static load C ₀ N	$\frac{m}{g}$ g
L1706.005	5	12	22	11,5	14,5	1,10	4	200	260	12
L1706.006 ⁻¹	6	12	19	11,5	13,5	1,10	4	200	260	8
L1706.008	8	16	25	15,2	16,5	1,10	4	260	400	20
L1706.010 ⁻¹	10	19	29	18,0	22,0	1,30	4	370	540	30
L1706.012	12	22	32	21,0	22,9	1,30	4	410	590	41
L1706.016	16	26	36	24,9	24,9	1,30	5	770	1170	57
L1706.020	20	32	45	30,3	31,5	1,60	5	860	1370	91
L1706.025	25	40	58	37,5	44,1	1,85	6	980	1560	215
L1706.030	30	47	68	44,5	52,1	1,85	6	1560	2740	325
L1706.040	40	62	80	59,0	60,6	2,15	6	2150	4010	705
L1706.050	50	75	100	72,0	77,6	2,65	6	3820	7930	1130
L1706.060	60	90	125	86,5	101,7	3,15	6	4700	9990	2220