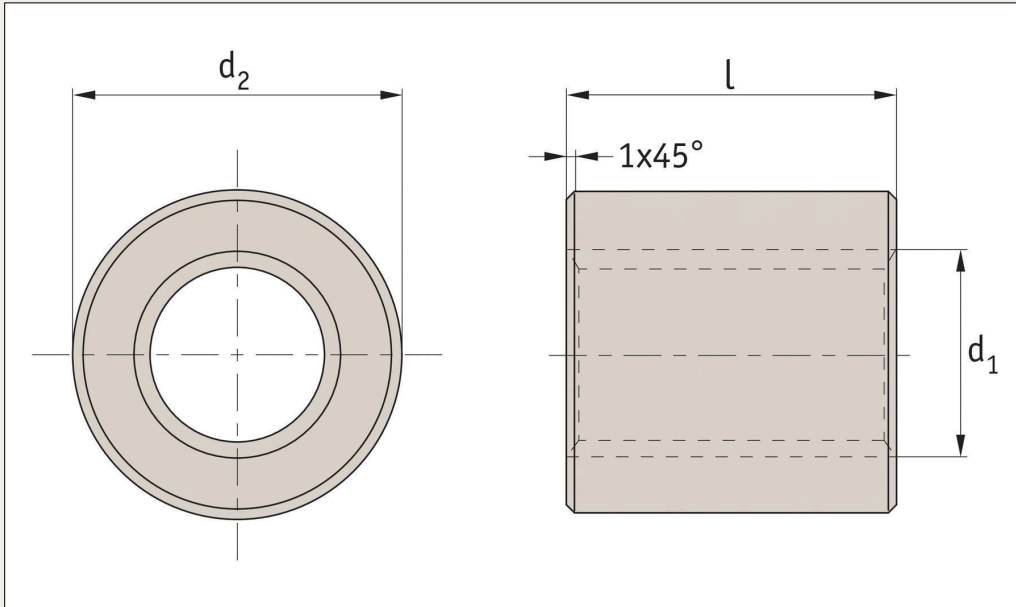


Cylindrical Steel Nuts

for lead screws

Lead Screws and Nuts



L1339

Material

Steel (EN10277-3, 11SMnPb37).
Manufactured to ISO2901/2903 (DIN 103).

Technical notes

Used for low rotation speeds, manual control, for clamping or locking functions and for receiving dead weights.

The use of steel to steel contact surface is not suitable for motorised motion.

Tips

Standard nuts are right hand thread, single starts.

For use with steel or stainless steel lead screws, L1320, L1321, L1322, and L1323.

Order No.	Size	d ₁ 7H	Lead	Thread direction	d ₂ h10	l +0.0,-0.1	No. of starts	Contact surface mm ²	⚖ Kg
L1339.R10-02	TR10x 2	10	2	Right	22	15	1	150	0,04
L1339.R10-04	TR10x 4	10	4	Right	22	15	2	150	0,04
L1339.R12-03	TR12x 3	12	3	Right	26	18	1	210	0,06
L1339.R12-06	TR12x 6	12	6	Right	26	18	2	210	0,06
L1339.R14-03	TR14x 3	14	3	Right	30	21	1	285	0,09
L1339.R14-06	TR14x 6	14	6	Right	30	21	2	285	0,09
L1339.R16-04	TR16x 4	16	4	Right	36	24	1	365	0,16
L1339.R16-08	TR16x 8	16	8	Right	36	24	2	365	0,16
L1339.R18-04	TR18x 4	18	4	Right	40	27	1	470	0,22
L1339.R18-08	TR18x 8	18	8	Right	40	27	2	470	0,22
L1339.R20-04	TR20x 4	20	4	Right	45	30	1	590	0,31
L1339.R20-08	TR20x 8	20	8	Right	45	30	2	590	0,31
L1339.R22-05	TR22x 5	22	5	Right	45	33	1	700	0,32
L1339.R22-10	TR22x10	22	10	Right	45	33	2	700	0,32
L1339.R24-05	TR24x 5	24	5	Right	50	36	1	845	0,44
L1339.R24-10	TR24x10	24	10	Right	50	36	2	845	0,44
L1339.R26-05	TR26x 5	26	5	Right	50	39	1	1005	0,45
L1339.R26-10	TR26x10	26	10	Right	50	39	2	1005	0,45
L1339.R28-05	TR28x 5	28	5	Right	60	42	1	1175	0,75
L1339.R28-10	TR28x10	28	10	Right	60	42	2	1175	0,75
L1339.R30-06	TR30x 6	30	6	Right	60	45	1	1335	0,77
L1339.R30-12	TR30x12	30	12	Right	60	45	2	1335	0,77
L1339.R32-06	TR32x 6	32	6	Right	60	48	1	1430	0,79
L1339.R32-12	TR32x12	32	12	Right	60	48	2	1430	0,79
L1339.R36-06	TR36x 6	36	6	Right	75	54	1	1950	1,48
L1339.R36-12	TR36x12	36	12	Right	75	54	2	1950	1,49
L1339.R40-07	TR40x 7	40	7	Right	80	60	1	2400	1,83
L1339.R40-14	TR40x14	40	14	Right	80	60	2	2400	1,83
L1339.R44-07	TR44x 7	44	7	Right	80	66	1	2940	1,89
L1339.R50-08	TR50x 8	50	8	Right	90	75	1	3790	2,69

Tel: 01483 26 67 74
Fax: 01483 26 67 75

Email: info@automotioncomponents.co.uk
Web: automotioncomponents.co.uk

AUTOMOTION[®]
COMPONENTS

Cylindrical Steel Nuts

for lead screws

Lead Screws and Nuts

Order No.	Size	d ₁ 7H	Lead	Thread direction	d ₂ h10	l +0.0,-0,1	No.of starts	Contact surface mm ²	⚖ Kg
L1339.R60-09	TR60x 9	60	9	Right	100	90	1	5490	3,87
L1339.R70-10	TR70x10	70	10	Right	110	100	1	7140	5,12
L1339.R80-10	TR80x10	80	10	Right	120	110	1	8900	6,00
L1339.L10-02	TR10x 2	10	2	Left	22	15	1	150	0,04
L1339.L12-03	TR12x 3	12	3	Left	26	18	1	210	0,06
L1339.L14-03	TR14x 3	14	3	Left	30	21	1	210	0,09
L1339.L16-04	TR16x 4	16	4	Left	36	24	1	365	0,16
L1339.L18-04	TR18x 4	18	4	Left	40	27	1	470	0,22
L1339.L20-04	TR20x 4	20	4	Left	45	30	1	590	0,31
L1339.L22-05	TR22x 5	22	5	Left	45	33	1	700	0,32
L1339.L24-05	TR24x 5	24	5	Left	50	36	1	845	0,44
L1339.L26-05	TR26x 5	26	5	Left	50	39	1	1005	0,45
L1339.L28-05	TR28x 5	28	5	Left	60	42	1	1175	0,75
L1339.L30-06	TR30x 6	30	6	Left	60	45	1	1335	0,77
L1339.L32-06	TR32x 6	32	6	Left	60	48	1	1430	0,79
L1339.L36-06	TR36x 6	36	6	Left	75	54	1	1950	1,48
L1339.L40-07	TR40x 7	40	7	Left	80	60	1	2400	1,83
L1339.L44-07	TR44x 7	44	7	Left	80	66	1	2940	1,88
L1339.L50-08	TR50x 8	50	8	Left	90	75	1	3790	2,69
L1339.L60-09	TR60x 9	60	9	Left	100	90	1	5490	3,87
L1339.L70-10	TR70x10	70	10	Left	110	100	1	7140	5,12
L1339.L80-10	TR80x10	80	10	Left	120	110	1	8900	6,00