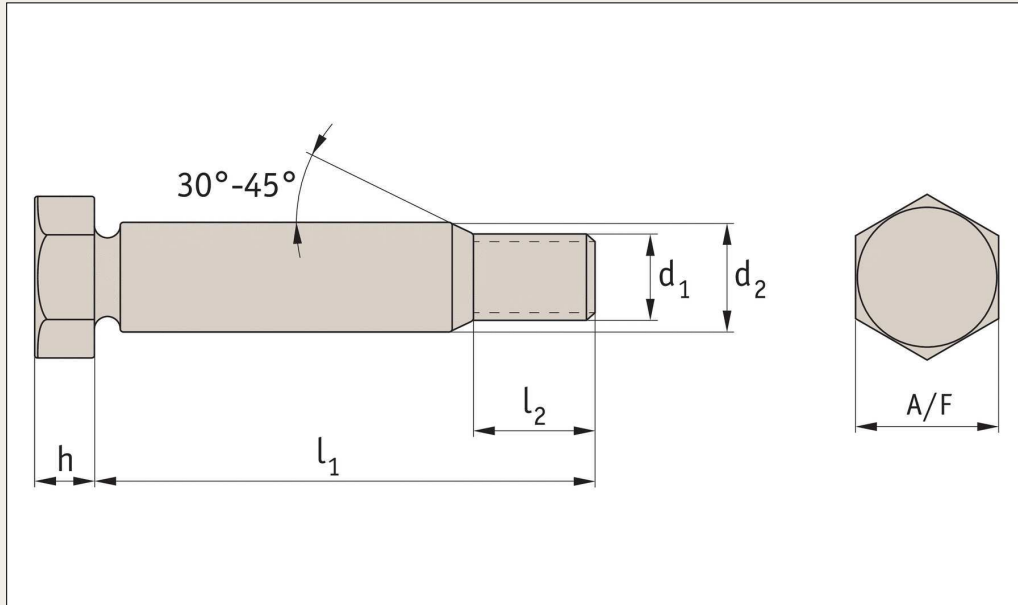


Stainless Shoulder Bolts - Hex. Head

short thread

Shoulder Screws



P0140.A2

Material

Stainless steel (A2, AISI 303).
Tensile strength 550 N/mm².

To DIN 610. Shorter thread than P0138 (DIN 609). Mildly magnetic.

Tips

Do not tighten to standard strength class 8,8 torque; as the tightening

torque is limited, by the presence of the reduced diameter undercut under the head and at the shoulder/thread area. Drill hole to H7 tolerance.

Technical notes

Order No.	d ₁	d ₂ k6	l ₁	l ₂	h	A/F
P0140.080-025-A2	M 8	9	25	11,5	5,3	13
P0140.080-030-A2	M 8	9	30	11,5	5,3	13
P0140.080-040-A2	M 8	9	40	11,5	5,3	13
P0140.080-045-A2	M 8	9	45	11,5	5,3	13
P0140.100-040-A2	M10	11	40	13,5	6,4	16
P0140.100-045-A2	M10	11	45	13,5	6,4	16
P0140.100-050-A2	M10	11	50	13,5	6,4	16
P0140.100-060-A2	M10	11	60	15,5	6,4	16
P0140.100-080-A2	M10	11	80	15,5	6,4	16
P0140.100-100-A2	M10	11	100	15,5	6,4	16
P0140.120-030-A2	M12	13	30	15,5	10,0	18
P0140.120-035-A2	M12	13	35	15,5	10,0	18
P0140.120-040-A2	M12	13	40	15,5	10,0	18
P0140.120-045-A2	M12	13	45	15,5	10,0	18
P0140.120-050-A2	M12	13	50	15,5	10,0	18
P0140.120-080-A2	M12	13	80	17,5	10,0	18
P0140.120-120-A2	M12	13	120	17,5	10,0	18
P0140.160-040-A2	M16	17	40	19,0	11,5	24
P0140.160-045-A2	M16	17	45	19,0	11,5	24
P0140.160-050-A2	M16	17	50	19,0	11,5	24
P0140.160-055-A2	M16	17	55	21,0	11,5	24
P0140.160-060-A2	M16	17	60	21,0	11,5	24
P0140.160-065-A2	M16	17	65	21,0	11,5	24
P0140.160-070-A2	M16	17	70	21,0	11,5	24
P0140.160-080-A2	M16	17	80	21,0	11,5	24

Steel shoulder screws

These are our least expensive option. They are produced to ISO 7379 standards. Thread sizes from Ø4 M3 to Ø24 M20. We manufacture special shoulder screws to customer drawings with a minimum batch size.



Stainless steel shoulder screws

We have three different grades of stainless steel shoulder screws:

A2 series – these are our standard grade of stainless. They are strong and resistant to corrosion but not to very harsh environments such as salt water.

For standard sizes Ø6 M5 up to Ø16 M12, see our part no P0137. For miniature sizes down to Ø4 M3 see parts numbers P0130 and P0132.

416 series – these are made from harder stainless steel with improved shear strengths but the parts are more prone to corrosion (see part no. P0131 and P0133).

A4 series – these shoulder screws (P0143) are very resistant to corrosion but are considerably more expensive than other stainless versions.



Shoulder bolts

Our range of precision shoulder bolts with hexagonal heads come in both steel (grades 8.8 and 10.9) and stainless steel (grade A2). These bolts are manufactured to DIN 609 and DIN 610. We also have shoulder bolts for construction, manufactured to DIN 7968.

	DIN 609 standard length thread	DIN 610 short length thread	DIN 7968 construction
Grade 8.8 steel 	P0138.SC	P0140.SC	P0142
Grade 10.9 steel 	P0139	P0141	-
A2 stainless steel 	P0138.A2	P0140.A2	-

ov-shoulder_screws_product_overview_1 - Updated - 31-08-2017

Product Overview

Shoulder Screws & Shoulder Bolts

Shoulder Screws

Part No.		Material	Head	Corrosion resistance	Strength	Ø/thread	DIN/ISO
P0130		Stainless A2	Hex socket	✓✓	✓	Min: Ø4/M3 Max: Ø12/M10	-
P0131		Stainless 416	Hex socket	✓	✓✓	Min: Ø4/M3 Max: Ø12/M10	-
P0132		Stainless A2	Slotted	✓✓	✓	Min: Ø4/M3 Max: Ø12/M10	-
P0133		Stainless 416	Slotted	✓	✓✓	Min: Ø4/M3 Max: Ø12/M10	-
P0134		Stainless A2	Hex socket	✓✓	✓	Min: Ø4/M3 Max: Ø8/M6	-
P0135		Stainless A2	Hex head	✓✓	✓	Min: Ø4/M3 Max: Ø12/M10	-
P0136		Steel 12,9	Hex socket	✗	✓✓	Min: Ø4/M3 Max: Ø24/M20	ISO 7379
P0137		Stainless A2	Hex socket	✓✓	✓	Min: Ø6/M5 Max: Ø20/M16	ISO 7379
P0138		Steel 8,8	Hex head (long thread)	✗	✓	Min: Ø9/M8 Max: Ø44/M42	DIN 610
P0139		Steel 10,9	Hex head (long thread)	✗	✓✓	Min: Ø9/M8 Max: Ø38/M36	DIN 610
P0140		Steel 8,8	Hex socket (short thread)	✗	✓✓	Min: Ø9/M8 Max: Ø44/M42	DIN 609
P0141		Steel 10,9	Hex socket (short thread)	✗	✓✓	Min: Ø9/M8 Max: Ø38/M36	DIN 609
P0142		Steel 8,8	Hex head	✗	✓✓	Min: Ø12/M12 Max: Ø27/M27	DIN 7968
P0143		Stainless A4	Hex socket	✓✓✓	✓	Min: Ø4/M3 Max: Ø12/M10	ISO 7379
P0144		Stainless A2	Pan head	✓✓	✓✓	Min: Ø4/M3 Max: Ø10/M8	DIN 923

Shoulder Screw from Automation Components