

P0440.A2

Material

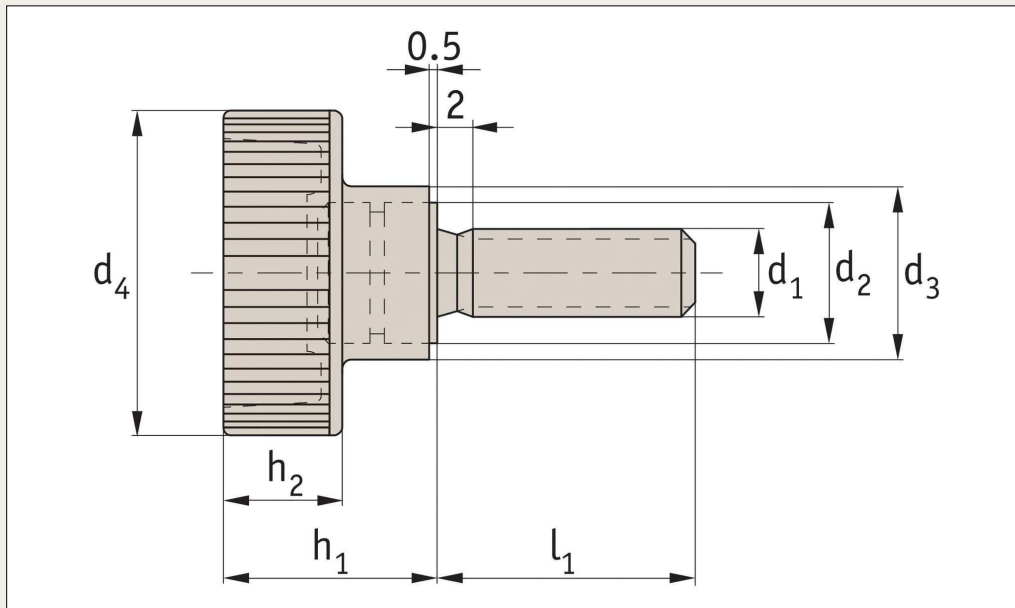
Thermoplastic (PA), black knob.
Thread - stainless steel (A2, AISI

303).

Technical notes

Temperature resistant from -30°C to +80°C.

Order No.	d ₁	l ₁	d ₂	d ₃	d ₄	h ₁	h ₂	Material	g
P0440.050-010-A2	M 5	10	9	12	19	14,0	8,0	A2 s/s	6
P0440.050-025-A2	M 5	25	9	12	19	14,0	8,0	A2 s/s	7
P0440.060-016-A2	M 6	16	12	14	24	16,5	9,5	A2 s/s	11
P0440.060-020-A2	M 6	20	12	14	24	16,5	9,5	A2 s/s	12
P0440.060-030-A2	M 6	30	12	14	24	16,5	9,5	A2 s/s	13
P0440.080-025-A2	M 8	25	14	16	30	19,5	11,0	A2 s/s	20
P0440.080-030-A2	M 8	30	14	16	30	19,5	11,0	A2 s/s	23



P0440.ZP

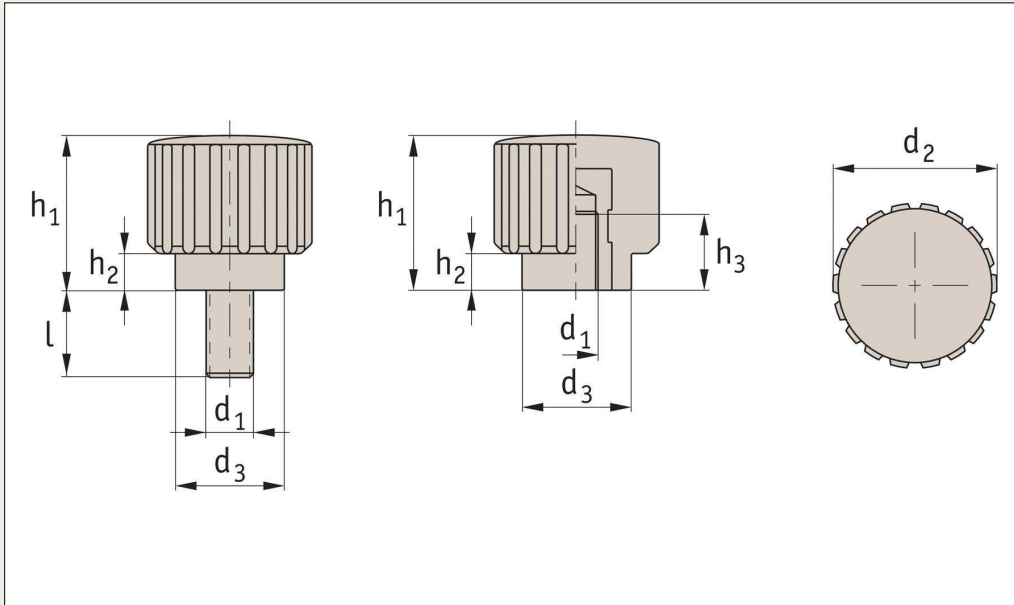
Material

Thermoplastic (PA), black knob, thread zinc-plated.

Technical notes

Temperature resistant from -30°C to $+80^{\circ}\text{C}$.

Order No.	d_1	l_1	d_2	d_3	d_4	h_1	h_2	Material	$\frac{\delta}{\Delta}$ g
P0440.040-015-ZP	M 4	15	9	12	19	14,0	8,0	Steel ZP	6
P0440.040-020-ZP	M 4	20	9	12	19	14,0	8,0	Steel ZP	7
P0440.050-010-ZP	M 5	10	9	12	19	14,0	8,0	Steel ZP	6
P0440.050-020-ZP	M 5	20	9	12	19	14,0	8,0	Steel ZP	7
P0440.050-025-ZP	M 5	25	9	12	19	14,0	8,0	Steel ZP	8
P0440.060-016-ZP	M 6	16	12	14	24	16,5	9,5	Steel ZP	11
P0440.060-020-ZP	M 6	20	12	14	24	16,5	9,5	Steel ZP	12
P0440.060-030-ZP	M 6	30	12	14	24	16,5	9,5	Steel ZP	13
P0440.080-020-ZP	M 8	20	14	16	30	19,5	11,0	Steel ZP	19
P0440.080-025-ZP	M 8	25	14	16	30	19,5	11,0	Steel ZP	20
P0440.080-030-ZP	M 8	30	14	16	30	19,5	11,0	Steel ZP	23
P0440.100-025-ZP	M10	25	15	18	36	22,5	12,5	Steel ZP	33
P0440.100-030-ZP	M10	30	15	18	36	22,5	12,5	Steel ZP	35
P0440.100-040-ZP	M10	40	15	18	36	22,5	12,5	Steel ZP	40



P0444

Material

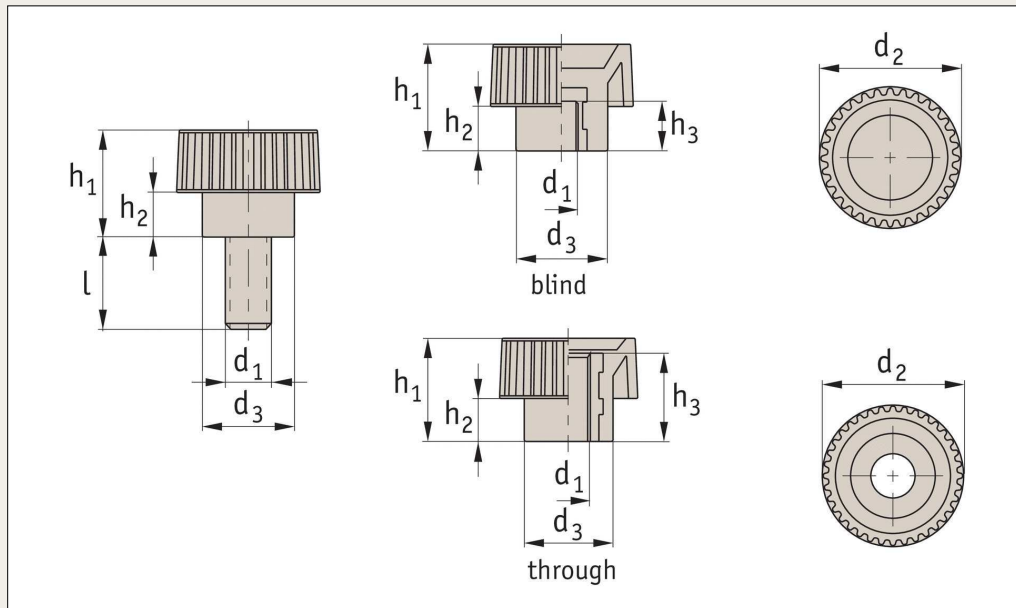
Duraplast, black satin finish, male version with zinc-plated thread,

female version with brass insert.

Technical notes

Resistant to organic and inorganic chemical substances such as oils, greases, fuels and solvents.

Order No.	Type	d ₁	l	d ₂	d ₃	h ₁	h ₂	h ₃	Insert material
P0444.040-010-ZP	Male	M4	10	15	11	12	1,5	-	Steel ZP
P0444.050-010-ZP	Male	M5	10	15	11	12	1,5	-	Steel ZP
P0444.050-013-ZP	Male	M5	13	18	12	17	4,0	-	Steel ZP
P0444.050-040-ZP	Male	M5	40	24	12	17	5,5	-	Steel ZP
P0444.060-013-ZP	Male	M6	13	18	16	17	4,0	-	Steel ZP
P0444.060-015-ZP	Male	M6	15	24	16	17	5,5	-	Steel ZP
P0444.080-015-ZP	Male	M8	15	24	16	17	5,5	-	Steel ZP
P0444.080-025-ZP	Male	M8	25	24	16	17	5,5	-	Steel ZP
P0444.030-015-BR	Female	M3	-	15	11	12	1,5	9	Brass
P0444.040-015-BR	Female	M4	-	15	11	12	1,5	9	Brass
P0444.050-015-BR	Female	M5	-	15	11	12	1,5	9	Brass
P0444.050-018-BR	Female	M5	-	18	12	17	4,0	9	Brass
P0444.060-015-BR	Female	M5	-	15	11	12	1,5	9	Brass
P0444.060-018-BR	Female	M6	-	18	12	17	4,0	9	Brass
P0444.060-024-BR	Female	M6	-	24	16	17	5,5	9	Brass
P0444.080-024-BR	Female	M8	-	24	16	17	5,5	9	Brass



P0445

Material

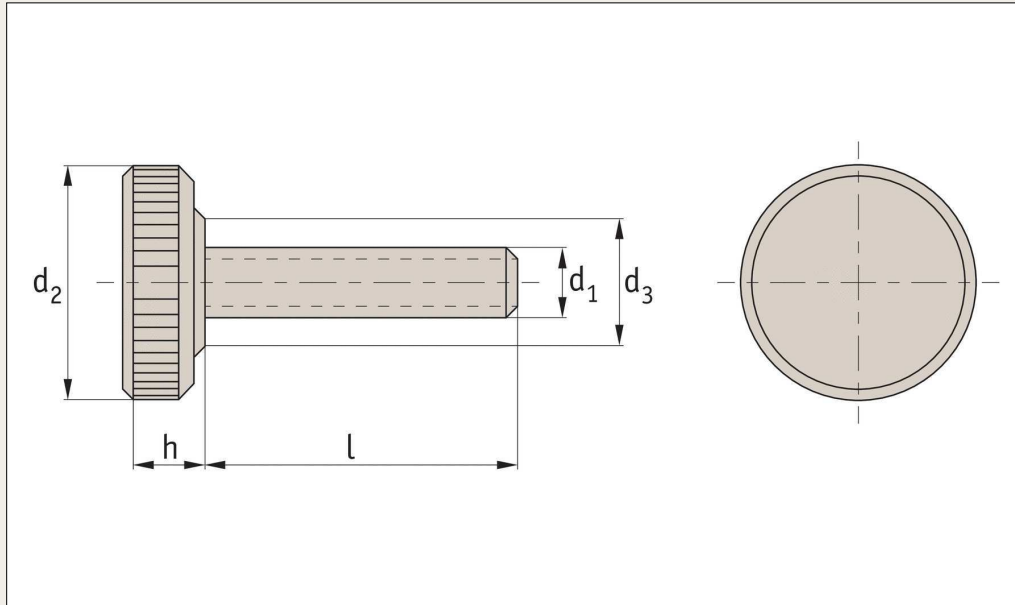
Duroplast, black, male version with zinc-plated thread, female versions with brass insert.

Type A has a tapped blind bush, type B has a through threaded bush.

Resistant to organic and inorganic chemical substances such as oils, greases, fuels and solvents.

Technical notes

Order No.	Type	d ₁	l	d ₂	d ₃	h ₁	h ₂	h ₃	Insert Material
P0445.030-010-ZP	Male	M 3	10	15	11,5	13,5	5	-	Steel ZP
P0445.040-010-ZP	Male	M 4	10	15	11,5	13,5	5	-	Steel ZP
P0445.040-015-ZP	Male	M 4	15	15	11,5	13,5	5	-	Steel ZP
P0445.040-025-ZP	Male	M 4	25	15	11,5	13,5	5	-	Steel ZP
P0445.050-010-ZP	Male	M 5	10	20	13,0	16,0	6	-	Steel ZP
P0445.050-015-ZP	Male	M 5	15	15	11,5	13,5	5	-	Steel ZP
P0445.050-016-ZP	Male	M 5	15	20	13,0	16,0	6	-	Steel ZP
P0445.050-017-ZP	Male	M 5	20	20	13,0	16,0	6	-	Steel ZP
P0445.050-025-ZP	Male	M 5	25	20	13,0	16,0	6	-	Steel ZP
P0445.060-015-ZP	Male	M 6	15	15	11,5	13,5	5	-	Steel ZP
P0445.030-15A-BR	Female - blind	M 3	-	15	11,5	13,5	5	9	Brass
P0445.040-15A-BR	Female - blind	M 4	-	15	11,5	13,5	5	9	Brass
P0445.050-15A-BR	Female - blind	M 5	-	15	11,5	13,5	5	9	Brass
P0445.050-20A-BR	Female - blind	M 5	-	20	13,0	16,0	6	9	Brass
P0445.060-15A-BR	Female - blind	M 6	-	15	11,5	13,5	5	9	Brass
P0445.060-20A-BR	Female - blind	M 6	-	20	13,0	16,0	6	9	Brass
P0445.060-32A-BR	Female - blind	M 6	-	32	17,0	22,0	9	11	Brass
P0445.080-32A-BR	Female - blind	M8	-	32	17,0	22,0	9	11	Brass
P0445.100-32A-BR	Female - blind	M10	-	32	17,0	22,0	9	11	Brass
P0445.030-15B-BR	Female - through	M 3	-	15	11,5	13,5	5	11,5	Brass
P0445.040-15B-BR	Female - through	M 4	-	15	11,5	13,5	5	11,5	Brass
P0445.040-20B-BR	Female - through	M 4	-	20	13,0	16,0	6	11,5	Brass
P0445.050-15B-BR	Female - through	M 5	-	15	11,5	13,5	5	11,5	Brass
P0445.050-20B-BR	Female - through	M 5	-	20	13,0	16,0	6	11,5	Brass
P0445.060-15B-BR	Female - through	M 6	-	15	11,5	13,5	5	11,5	Brass
P0445.060-20B-BR	Female - through	M 6	-	20	13,0	16,0	6	11,5	Brass
P0445.060-32B-BR	Female - through	M 6	-	32	17,0	22,0	9	16,5	Brass
P0445.080-32B-BR	Female - through	M 8	-	32	17,0	22,0	9	16,5	Brass
P0445.100-32B-BR	Female - through	M10	-	32	17,0	22,0	9	16,5	Brass



P0480.A4

Material

Stainless steel thread (A4, AISI 316), with black plastic head, other colours

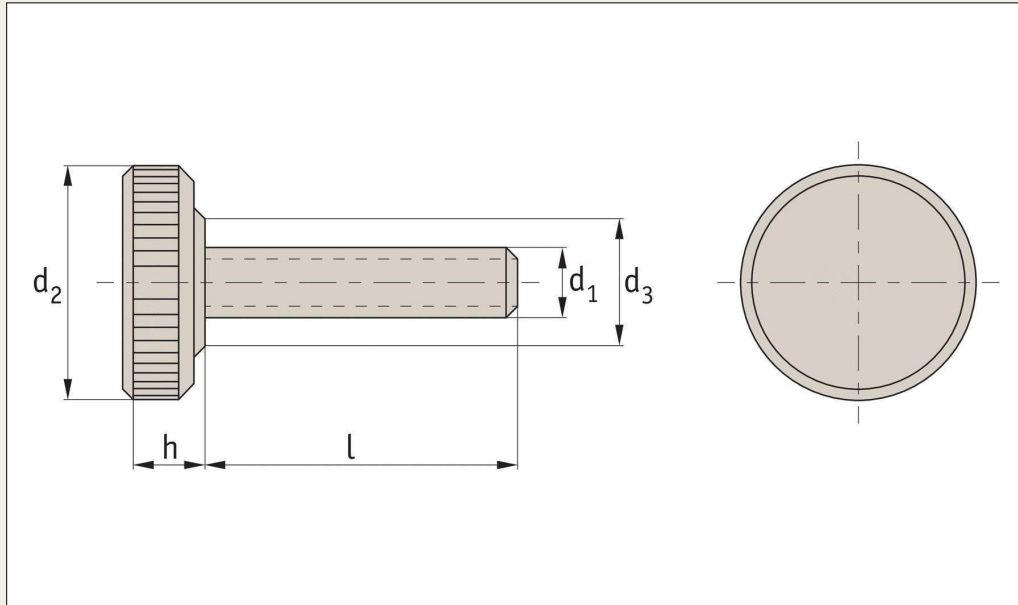
(red, blue, green, white) available on request.

Technical notes

Stainless steel A4, AISI 316 is highly resistant to corrosion.

Order No.	d ₁	l	d ₂	d ₃	h
P0480.030-005-A4	M3	5	10	8	4
P0480.030-006-A4	M3	6	10	8	4
P0480.030-008-A4	M3	8	10	8	4
P0480.030-012-A4	M3	12	10	8	4
P0480.030-016-A4	M3	16	10	8	4
P0480.030-020-A4	M3	20	10	8	4
P0480.030-025-A4	M3	25	10	8	4
P0480.040-006-A4	M4	6	13	10	5
P0480.040-010-A4	M4	10	13	10	5
P0480.040-012-A4	M4	12	13	10	5
P0480.040-016-A4	M4	16	13	10	5
P0480.040-020-A4	M4	20	13	10	5
P0480.040-025-A4	M4	25	13	10	5
P0480.050-008-A4	M5	8	16	12	6
P0480.050-010-A4	M5	10	16	12	6
P0480.050-012-A4	M5	12	16	12	6
P0480.050-016-A4	M5	16	16	12	6
P0480.050-020-A4	M5	20	16	12	6
P0480.050-025-A4	M5	25	16	12	6
P0480.060-010-A4	M6	10	19	14	8
P0480.060-012-A4	M6	12	19	14	8
P0480.060-016-A4	M6	16	19	14	8
P0480.060-020-A4	M6	20	19	14	8
P0480.060-025-A4	M6	25	19	14	8
P0480.060-030-A4	M6	30	19	14	8
P0480.080-010-A4	M8	10	26	16	10
P0480.080-012-A4	M8	12	26	16	10
P0480.080-016-A4	M8	16	26	16	10
P0480.080-020-A4	M8	20	26	16	10
P0480.080-025-A4	M8	25	26	16	10

Order No.	d ₁	l	d ₂	d ₃	h
P0480.080-030-A4	M8	30	26	16	10
P0480.080-040-A4	M8	40	26	16	10



P0480.i

Material

Thermoplastic (PA), black knob,
stainless steel thread (A2, AISI 303).

Technical notes

Temperature resistant from -30°C to
 $+80^{\circ}\text{C}$, A2 (AISI 303) stainless steel

is typically used in food,
pharmaceutical and similar
applications requiring a degree of
corrosion protection.

Order No.	d_1	Thread	l_1	d_2	h	d_3
P0480.I041	#4-40	UNC-2A	1/4	5/16	9/32	11/64
P0480.I042	#4-40	UNC-2A	5/16	5/16	9/32	11/64
P0480.I043	#4-40	UNC-2A	3/8	5/16	9/32	11/64
P0480.I044	#4-40	UNC-2A	1/2	5/16	9/32	11/64
P0480.I045	#4-40	UNC-2A	5/8	5/16	9/32	11/64
P0480.I061	#6-32	UNC-2A	5/16	3/8	21/64	3/16
P0480.I062	#6-32	UNC-2A	3/8	3/8	21/64	3/16
P0480.I063	#6-32	UNC-2A	1/2	3/8	21/64	3/16
P0480.I064	#6-32	UNC-2A	5/8	3/8	21/64	3/16
P0480.I065	#6-32	UNC-2A	3/4	3/8	21/64	3/16
P0480.I081	#8-32	UNC-2A	3/8	1/2	3/8	7/32
P0480.I082	#8-32	UNC-2A	1/2	1/2	3/8	7/32
P0480.I083	#8-32	UNC-2A	5/8	1/2	3/8	7/32
P0480.I084	#8-32	UNC-2A	3/4	1/2	3/8	7/32
P0480.I085	#8-32	UNC-2A	1	1/2	3/8	7/32
P0480.I101	#10-24	UNC-2A	3/8	5/8	27/64	1/4
P0480.I102	#10-24	UNC-2A	1/2	5/8	27/64	1/4
P0480.I103	#10-24	UNC-2A	5/8	5/8	27/64	1/4
P0480.I104	#10-24	UNC-2A	3/4	5/8	27/64	1/4
P0480.I105	#10-24	UNC-2A	1	5/8	27/64	1/4
P0480.I106	#10-32	UNF-2A	3/8	5/8	27/64	1/4
P0480.I107	#10-32	UNF-2A	1/2	5/8	27/64	1/4
P0480.I108	#10-32	UNF-2A	5/8	5/8	27/64	1/4
P0480.I109	#10-32	UNF-2A	3/4	5/8	27/64	1/4
P0480.I110	#10-32	UNF-2A	1	5/8	27/64	1/4
P0480.I251	#1/4-20	UNC-2A	3/8	3/4	1/2	5/16
P0480.I252	#1/4-20	UNC-2A	1/2	3/4	1/2	5/16
P0480.I253	#1/4-20	UNC-2A	5/8	3/4	1/2	5/16
P0480.I254	#1/4-20	UNC-2A	3/4	3/4	1/2	5/16

Order No.	d ₁	Thread	l ₁	d ₂	h	d ₃
P0480.I255	#1/4-20	UNC-2A	1	3/4	1/2	5/16
P0480.I256	#1/4-20	UNC-2A	3/8	5/16	1/2	5/16
P0480.I257	#1/4-20	UNC-2A	1/2	5/16	1/2	5/16
P0480.I258	#1/4-20	UNC-2A	5/8	5/16	1/2	5/16
P0480.I259	#1/4-20	UNC-2A	3/4	5/16	1/2	5/16
P0480.I260	#1/4-20	UNC-2A	1	5/16	1/2	5/16