

L1740

Material

Hardened and ground steel ball plate from bearing steel.

Floating plate feature offers self-alignment and clearance adjustment.

Single body resin retainer (POM).

Supplied with nitrile rubber (NBR) end seals -UU as standard.

Technical notes

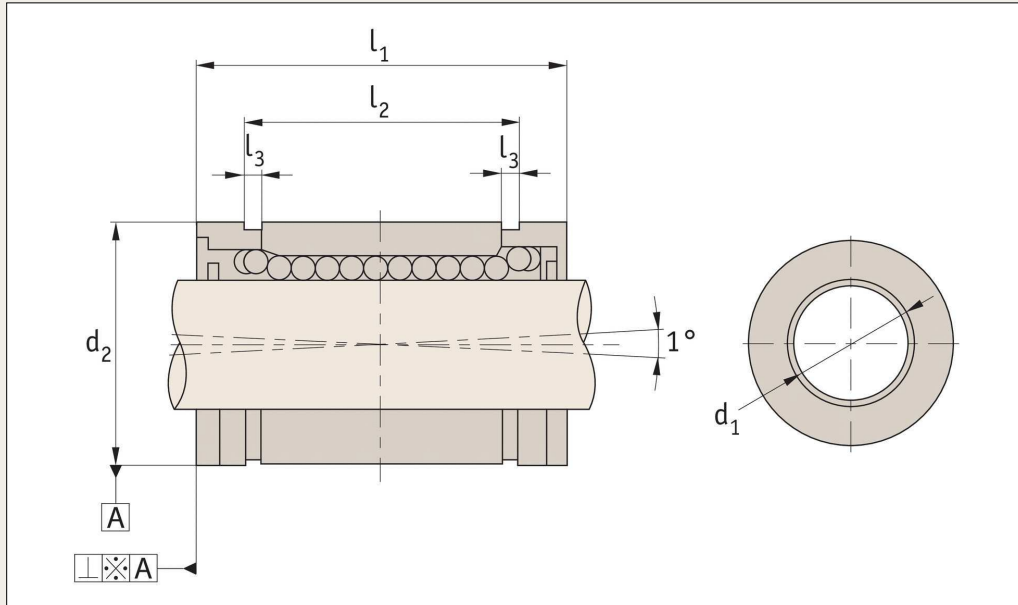
The superball series has 3 x the load rating and 27 x the travel life of conventional linear bushings.

They offer self-alignment - prolonging travel life by reducing the friction between shaft and balls.

For use with hardened shafts only (see part nos. L1770 - L1772) - tolerance h6.

Perpendicularity A is better than 15 μ .
Temperature range: -20°C to +80°C.

Order No.	d ₁ H6	d ₂ h6	l ₁ ±0,2	l ₂ ±0,2	l ₃ min.	No. of ball circuits	Max. dynamic load C N	Max. static load C ₀ N	$\frac{\Delta}{g}$
L1740.010	10	19	29	21,7	1,35	5	550	750	17
L1740.012	12	22	32	22,7	1,35	5	1100	1230	23
L1740.016	16	26	36	24,7	1,35	5	1250	1550	28
L1740.020	20	32	45	31,3	1,65	6	1670	2580	61
L1740.025	25	40	58	43,8	1,90	6	2750	3800	122
L1740.030	30	47	68	51,8	1,90	6	2800	4710	185
L1740.040	40	62	80	60,4	2,20	6	5720	6500	360
L1740.050	50	75	100	77,4	2,70	6	7940	11460	580



L1741

Material

Hardened and ground body from bearing steel - nickel plated.
Stainless steel balls 440C.
Floating plate feature offers self-alignment and clearance adjustment.
Single body resin retainer (POM).
Supplied with nitrile rubber (NBR) end seals -UU as standard.

Technical notes

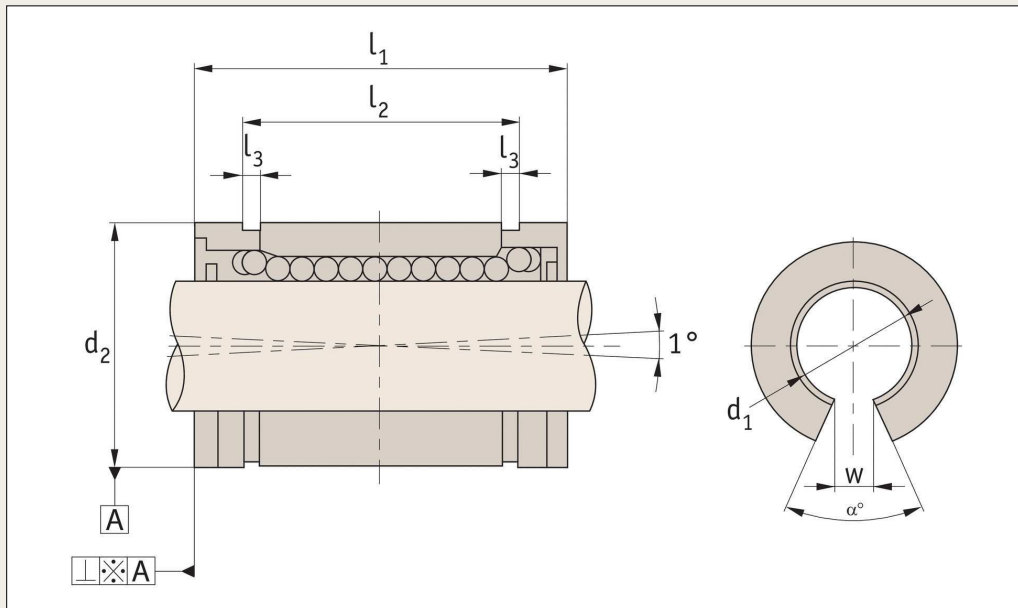
The superball series has 3 x the load rating and 27 x the travel life of conventional linear bushings.
They offer self-alignment - prolonging travel life by reducing the friction between shaft and balls.
For use with hardened shafts only (see part nos. L1770 - L1772) - tolerance h6.

Perpendicularity A is better than 15μ.
Temperature range: -20°C to +80°C.

Tips

The nickel plated bearing plates and the stainless steel bearing balls provide a good degree of corrosion protection.

Order No.	d ₁ H6	d ₂ h6	l ₁ ±0,2	l ₂ ±0,2	l ₃ min.	No. of ball circuits	Max. dynamic load C N	Max. static load C ₀ N	g
L1741.010	10	19	29	21,7	1,35	5	550	750	17
L1741.012	12	22	32	22,7	1,35	5	1100	1230	23
L1741.016	16	26	36	24,7	1,35	5	1250	1550	28
L1741.020	20	32	45	31,3	1,65	6	1670	2580	61
L1741.025	25	40	58	43,8	1,90	6	2750	3800	122
L1741.030	30	47	68	51,8	1,90	6	2800	4710	185
L1741.040	40	62	80	60,4	2,20	6	5720	6500	360
L1741.050	50	75	100	77,4	2,70	6	7940	11460	580



L1742

Material

Hardened and ground steel ball plate from bearing steel.
 Floating plate feature offers self-alignment and clearance adjustment.
 Single body resin retainer (POM).
 Supplied with nitrile rubber (NBR)

end seals -UU as standard.

Technical notes

The superball series has 3 x the load rating and 27 x the travel life of conventional linear bushings.
 For use with hardened shafts only (see part nos. L1770 - L1772) -

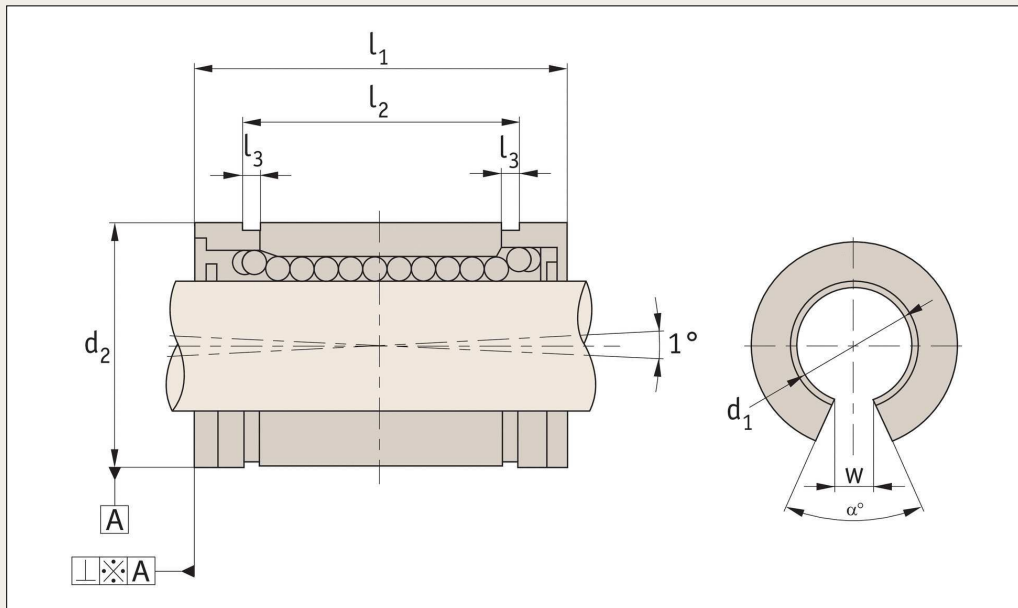
tolerance h6.

Perpendicularity A is better than 15µ.
 Temperature range: -20°C to +80°C.

Tips

d_2 is the dimension before the bush has been slotted.

Order No.	d_1 H6	d_2 h6	l_1 ±0,2	l_2 ±0,2	l_3 min.	w	α°	Max. dynamic load C N	Max. static load C_0 N	$\frac{\Delta z}{g}$
L1742.012	12	22	32	22,7	1,35	6,5	66	1260	1290	18
L1742.016	16	26	36	24,7	1,35	9,0	68	1320	1640	22
L1742.020	20	32	45	31,3	1,65	9,0	55	1720	2630	51
L1742.025	25	40	58	43,8	1,90	11,5	57	2850	3910	102
L1742.030	30	47	68	81,8	1,90	14,0	57	2900	4850	155
L1742.040	40	62	80	60,4	2,20	19,5	56	5900	6700	300
L1742.050	50	75	100	77,4	2,70	22,5	54	8100	11700	480



L1743

Material

Hardened and ground body from bearing steel - nickel plated.
Stainless steel balls 440C.
Floating plate feature offers self-alignment and clearance adjustment.
Single body resin retainer (POM).
Supplied with nitrile rubber (NBR) end seals -UU as standard.

Technical notes

The superball series has 3 x the load rating and 27 x the travel life of conventional linear bushings.
They offer self-alignment - prolonging travel life by reducing the friction between shaft and balls.
For use with hardened shafts only (see part nos. L1770 - L1772) - tolerance h6.

Perpendicularity A is better than 15µ.
Temperature range: -20°C to +80°C.

Tips

The nickel plated bearing plates and the stainless steel bearing balls provide a good degree of corrosion protection. d_2 is the dimension before the bush has been slotted.

Order No.	d_1 H6	d_2 h6	l_1 ±0,2	l_2 ±0,2	l_3 min.	w	α°	Max. dynamic load C N	Max. static load C_0 N	$\frac{\Delta}{g}$ g
L1743.012	12	22	32	22,7	1,35	6,5	66	1260	1290	18
L1743.016	16	26	36	24,7	1,35	9,0	68	1320	1640	22
L1743.020	20	32	45	31,3	1,65	9,0	55	1720	2630	51
L1743.025	25	40	58	43,8	1,90	11,5	57	2850	3910	102
L1743.030	30	47	68	81,8	1,90	14,0	57	2900	4850	155
L1743.040	40	62	80	60,4	2,20	19,5	56	5900	6700	300
L1743.050	50	75	100	77,4	2,70	22,5	54	8100	11700	480